

DONGBO FASTENER

集研发、生产、营销为一体的专业挡圈、垫圈生产企业

A PROFESSIONAL MANUFACTURER OF
RETAINING RINGS AND WASHER THAT
INTEGRATES RESEARCH AND
DEVELOPMENT, PRODUCTION
AND MARKETING



DONGBO



联系方式: +86563-4186334

+86563-4186971

电子邮箱: zby@dong-bo.com.cn

地址: 安徽省宁国市经济技术开发区外环西路110号

网站信息: <http://www.dong-bo.com.cn/>

Contact info: +86563-4186334

+86563-4186971

Email : zby@dong-bo.com.cn

Address: No.110,W Waihuan Rd,Ningguo City, Anhui,China

Website: <http://www.dong-bo.com.cn/>

东波紧固件
DONGBO FASTENER

CONTENT

目录

01	公司介绍	
	COMPANY INTRODUCTION	
	公司介绍 / Company introduction	01
02	荣誉资质	
	HONOR&QUALIFICATION	
	企业荣誉 / Honor&Qualification	03
03	公司实力	
	COMPANY STRENGTH	
	我们的优势 / Our advantage	05
	核心生产设备 / Production equipment	07
	东波检测中心 / Dongbo testing center	09
04	产品介绍	
	PRODUCT INTRODUCTION	
	产品目录分类 / Product catalog	11
	原材料介绍 / Raw material	12
	热处理及表面处理 / Handle	13
	尺寸对照表 / Size comparison table	14
	卡簧钳简介(安装工具) / Mounting tools	49
	包装方式 / Packaging	50

东波公司是世界知名的挡圈垫圈综合制造商,历经几十年的不懈奋斗和滚动发展,东波公司已发展为集“研发、生产、营销”为一体的行业隐形冠军。

在提及“东波”这一品牌时,人们首先提到的是“挡圈”。但与此同时,“东波”这一品牌代表的产品还有很多,而且我们的产品和服务范围已得到极大拓展。挡圈、垫圈(圆形,蝶形,球形)、止动环、弹性圆柱销等系列产品及非标订制冲压件都是东波公司的支柱产品。

东波公司以“成为国际领先的挡圈垫圈制造商”为愿景,恪守企业的社会责任,为客户、员工、股东和社会创造最大化的价值,倡导“诚信铸就品牌,创新引领发展”的价值观,弘扬“专业者勤,精业者透”的东波精神,坚持“专注、专心、专业”提升东波品牌。

东波公司产品广泛应用于汽车制造、风力发电、工程机械、电动工具、家用电器、新能源等领域,并与国内外多家知名企业建立了稳定的战略合作关系,公司近一半以上产品出口到欧美市场,并为五大洲60多个国家的客户所使用。

Dongbo Company is the world famous retaining ring and washer integrated manufacturer. Dongbo company has developed into a "research and development, production, marketing" as one of the industry's champion.

When referring to the brand "Dongbo", people first mention the "retaining rings". But at the same time, the "Dongbo" brand represents many more products, and our range of products and services has been greatly expanded. Retaining ring, washer (roundness, butterfly type, spherical), stop ring, elastic cylindrical pin and other products and non-standard stamping parts are the pillar products of Dongbo company.

Dongbo company to "become the world's leading retaining ring and washer manufacturer" as the vision, abide by the corporate social responsibility, create maximum value for customers, employees, shareholders and society, advocate the value of "integrity casts the brand, innovation leads the development", carry forward the Dongbo spirit of "professional diligence, fine industry through", adhere to "focus, concentration, professional" to enhance the Dongbo brand.

Dongbo products are widely used in automobile manufacturing, wind power generation, construction machinery, power tools, household appliances, New energy and other fields, and with a number of well-known enterprises domestic and international to establish a stable strategic cooperation

As a result, more than half of the company's products are exported to markets in Europe and America, and to five continents Used by customers over 60 countries.

为了使全球客户更加信赖东波品牌,更有信心使用东波产品,我们已获得国际标准“IATF16949和ISO14001”的认证,并积极准备CNAS认证。创建了完整的质量保证和环境控制的体系。东波产品努力满足客户的期望,同时兼顾公司对社会的贡献。凭借完美的产品质量和卓越的绩效管理,公司先后荣获安徽省名牌产品、国家高新技术企业、中国驰名商标、国家级专精特新小巨人等荣誉称号。

不忘初心,方得始终,东波公司具备雄厚的技术开发和创新能力,从量产的“标准件产品”到全面的“定制开发品”,再到一站式系统解决方案,我们有热情更有能力应对最具挑战的应用需求。放眼未来,东波公司将努力弘扬“专业者勤,精业者透”的企业精神,为国内外客户提供有专业价值的服务。

Dongbo has obtained the IATF16949 and ISO14001 certification, and actively prepare for CNAS certification. Create a complete quality assurance and environmental control system. Dongbo products strive to meet customer expectations while taking into account the company's contribution to society. With perfect product quality and excellent performance management, the company has won the honorary titles of Anhui Famous Brand Products, National High-tech Enterprises, China Well-known Trademarks, National Specialized New "Little Giant" Enterprise and so on.

Dongbo company has strong technology development and innovation ability Force. From the mass production of "standard products" to a comprehensive "custom development products", and then to one-stop system solutions, we have the passion and ability to meet challenging application needs. Looking to the future, Dongbo company will strive to carry forward the enterprise essence of "professional diligence, fine industry through" Provide our customers the professional value services.



INTRODUCE

公司介绍

A PROFESSIONAL MANUFACTURER OF RETAINING RINGS AND WASHER THAT INTEGRATES RESEARCH, AND DEVELOPMENT, PRODUCTION AND MARKETING

HONOR&QUALIFICATION

荣誉资质

A PROFESSIONAL MANUFACTURER OF RETAINING RINGS AND WASHER THAT INTEGRATES RESEARCH AND DEVELOPMENT, PRODUCTION AND MARKETING

33

国家发明专利33项

33 National invention patents

43

新型专利43项

43 Utility model patents

13

国家标准制定13项

13 National standard setting



东波公司的质量管理体系是符合最新的国家和国际客户的要求，并通过IATF 16949体系认证。

通过ERP实现订单管理、采购、计划投产、报工、发货、以及财务管理。生产过程通过质量严格监控、把关，关键尺寸及重点检测项，都经过过程控制(SPC)进行监控并分析。保证了质量的稳定性，符合客户的严格要求。

Dongbo's quality management system is in line with the latest domestic and international customer requirements also certified by IATF 16949 system. ERP for sales order management, procurement, production planning, reporting, delivery, and financial management. The production process is strictly monitored and controlled by quality, and the key dimensions and key inspection items are monitored and analyzed by process control (SPC). To ensure the stability of quality, in line with the strict requirements of customers.



东波公司有一套有效的环境管理体系，该体系通过了ISO 14001认证。为了满足所有相关环境法律和法规的要求，对全体员工都进行环保方面的培训，公司所有生产环节均考虑了环保和能量及资源节约的因素，持续做好环保相关工作。

Dongbo has an effective environmental management system, which is ISO 14001 certified. In order to meet the requirements of all relevant environmental laws and regulations, all employees are trained in environmental protection, and all production process of the company consider environmental protection, energy and resource conservation factors, and continue to do environmental protection related work.



- ★ 全国紧固件标准化技术委员会委员单位
National Fastener Standardization Technical Committee Member Unit
- ★ 国家级专精特新小巨人
National Specialized New "Little Giant" Enterprise
- ★ 中国驰名商标
China Well-known Trademarks
- ★ 高新技术企业
High-tech Enterprise

- ★ 安徽省机电行业创新企业100强
Top 100 Innovative Enterprises of Electromechanical Industry in Anhui Province
- ★ 安徽省名牌产品
Anhui Famous Brand Products
- ★ 合肥工业大学实践教学基地
Hefei University of Technology Practice Teaching Base

OUR ADVANTAGE

我们的优势

A PROFESSIONAL MANUFACTURER OF RETAINING RINGS AND WASHER THAT INTEGRATES RESEARCH, AND DEVELOPMENT, PRODUCTION AND MARKETING

强大的 库存支持

Strong inventory support

东波公司产品体现了产品多样化和专业化的市场趋势,能够为客户提供超9000种标准件产品以及超过15000种扩展非标产品。常备标准件库存达3亿只,有“一站式”购齐的美誉。

Dongbo products reflect the market trend of product diversification and specialization, and able to provide customers more than 9,000 kinds of standard products and more than 15,000 kinds of extended non-standard products. Standing standard parts inventory of 300 million pieces, with a "one-stop purchase" reputation.

先进的 热处理设备

Advanced Heat-treatment equipment

三永网带炉淬火线能满足客户对产品高性能,高稳定性要求。所有工艺参数实现在线监测并永久保存。充分保证热处理加工工艺可追溯性。

Sanyong mesh belt furnace quenching lines can meet customers' requirements of high performance and high stability. All process parameters are monitored online and stored permanently. Fully ensure the traceability of heat treatment processing data.

自主研发 能力

Independent research and development ability

东波公司以“产、学、研”的理念为基础,聚焦能源、环境问题进而改善制造工艺,节能减排,绿色制造。

持续投入巨资研发新材料新工艺。公司先后与南京钢铁集团成立联合研发中心,并与国内多所著名院校建立长期的产学研合作关系。

Based on the concept of "production, learning and research", Dongbo Company focuses on energy and environmental issues to improve manufacturing processes, energy conservation and emission reduction, and green manufacturing. Continue to invest heavily in research and development of new materials and new processes. The company has established a joint research and development center with Nanjing Iron and Steel Group, And establish long-term industry-university-research cooperation with many famous colleges and universities in China.

专业的 检测能力

Professional testing ability

东波公司拥有国内先进的产品研发和检测能力,例如常规材料元素、力学性能、硬度、金相等,我公司还拥有多功能三坐标、电镜分析仪以及自主研发检测设备。

Dongbo company has domestic advanced product development and testing capabilities, such as conventional material elements, mechanical properties, hardness, metallography, etc. Our company also has multi-functional coordinate, electron microscope analyzer and independent research and developed testing equipment.

自己的 冷轧带钢厂

Own cold strip mill

AGC冷轧生产线,年产1.8万吨精密冷轧带钢,可将材料厚度控制在0-0.03mm以内,并分割成各种规格宽度,降低了对市场原材料的依赖度。可实现高质量和短交期交付。

AGC cold rolling production lines, with an annual output of 18,000 tons of precision cold rolled strip steel, able to control the thickness of the material within 0-0.03mm, and partition the width of various specifications reduces the dependence on market raw materials. Able to achieve high quality and short lead time.

PRODUCTION EQUIPMENT

核心生产设备

A PROFESSIONAL MANUFACTURER OF RETAINING RINGS AND WASHER THAT INTEGRATES RESEARCH, AND DEVELOPMENT, PRODUCTION AND MARKETING

钢丝车间 / Wiring Plant

钢丝工艺制作的挡圈,可实现Φ50-Φ1000范围内所有规格挡圈、止动环的生产,具有超高性能和超高性价比优势。

The retaining ring made of steel wire process can realize the production of all specifications within the range of Φ50-Φ1000, with higher performance and better cost performance.



冲压车间 / Stamping Plant

冲压产品体现了产品多样化和专业化的市场趋势,能够为客户提供超9000种标准件产品以及超过15000种扩展非标件产品,拥有超150台精密冲床,80%以上批量产品实现自动化生产,规模效益更具有交付、质量、成本优势。

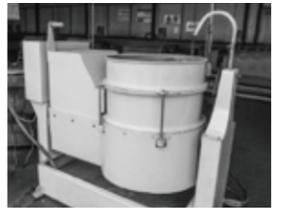
Stamping products reflect the market trend of product diversification and specialization. Able to provide over 9000 kinds of standard products and over 15000 kinds non-standard products. Over 150 precision stamping presses, more than 80% of the batch products are now automated. To achieve better delivery timing, quality, and cost advantages.



磷化车间 / Phosphating Plant

车间有三条磷化生产线及符合环保要求的污水处理设施,磷化自行生产,解决了客户因担心环保不达标造成停产的后顾之忧。

The workshop has three phosphating production lines with sewage treatment facilities.



东波公司有全工艺生产系统,年产能达35亿只。包括原材料精密轧制、模具设计制作、冲压、机加工、热处理、表面处理(磷化)、超声波清洗、自动光筛、性能检测、包装等所有生产流程均在东波工厂内完成,旨在为客户提供高质量及短交货期的产品。此外,我们使用ERP生产管理系统和OA流程审批系统,在该系统中,所有的生产操作指令根据接收的订单信息自动进行。由此,东波公司实现更短的交货期。在对物料以及产品流转实行条码管理和先进先出原则,实现了产品可追溯管理。

Dongbo has a full-process production system with an annual capacity of 3.5 billion pieces. Including raw material precision rolling, mold design and production, stamping, machining, heat treatment, surface treatment (phosphating), ultrasonic cleaning, Vision inspection machine, performance testing, packaging. Aiming to provide customers with high quality and short delivery time products. In addition, we use an ERP production management system and an online process approval system, in which all production operation instructions are automated based on received sales order information. As a result, Dongbo achieves shorter delivery times. The principle of bar code management and FIFO for material and product flow is implemented to realize product traceability management.

带钢车间 / Cold Rolling Plant

AGC冷轧生产线,年产1.8万吨精密冷轧带钢,可将材料厚度控制在0-0.03mm以内,并分割成各种规格宽度,降低了对市场原材料的依赖度。可实现高质量和短交期交付。

AGC cold rolling production lines, with an annual output of 18,000 tons of precision cold rolled strip steel, able to control the thickness of the material within 0-0.03mm, and partition the width of various specifications reduces the dependence on market raw materials. Able to achieve high quality and short lead time.



热处理车间 / Heat-treatment Plant

三永网带炉淬火线满足客户对产品高性能、高稳定性要求。所有工艺参数实现在线监测并永久保存。充分保证热处理质量可追溯性。

Sanyong mesh belt furnace quenching lines are able to meet customers demand with high performance and high stability. All process parameters are monitored online and stored permanently. Fully ensure the traceability of heat treatment processing data.



内包装车间 / Internal Packing Plant

拥有超声波清洗、无尘包装、光学筛选等先进设备,能实现产品防错,可满足汽车件PPM等质量要求。

With ultrasonic cleaning, dust-free packaging, Vision inspection machine and other advanced equipment, able to achieve product error prevention, can meet the quality requirements of automotive parts also PPM value.



DONGBO TESTING CENTER

东波检测中心

东波公司拥有国内最先进的挡圈产品的研发和检测能力,除了常规材料元素、力学性能、硬度、金相等,我公司还拥有多功能三坐标、电镜分析仪等。

Dongbo company has domestic advanced product development and testing capabilities, such as conventional material elements, mechanical properties, hardness, metallography, etc. Our company also has multi-functional coordinate, electron microscope analyzer and independent research and developed testing equipment.

原材料有关检测设备:

- 万能拉力试验机
- 斯派克红外台式光谱仪
- 手持式光谱仪

Raw material testing equipment:

- Universal tensile testing machine
- Speicher infrared bench-top spectrometer
- Portable spectrometer

产品过程检测设备:

- 蔡司三坐标
- 奥林巴斯清洁度检测(无尘室内仪器)
- 蔡司钨灯丝扫描电镜
- 基恩士闪测仪
- 海克斯康全自动影像仪
- 恒温干燥箱
- 三丰粗糙度仪
- 洛氏、维氏硬度计

Product process testing equipment:

- Zeiss CMM
- Olympus Cleanliness Test (Clean Room Instrument)
- Zeiss tungsten filament scanning electron microscopy
- Keyence imaging instrument
- Hexagon automatic imaging instrument
- Constant temperature drying oven
- Mitotoyo roughness meter
- Rockwell, Vickers hardness tester

自主研发弹性挡圈国内首台套专用检测仪器:

- 极限转速检测仪
- 弹性测试仪
- 圆锥变形测试仪
- 韧性检测仪
- 缝规检测仪

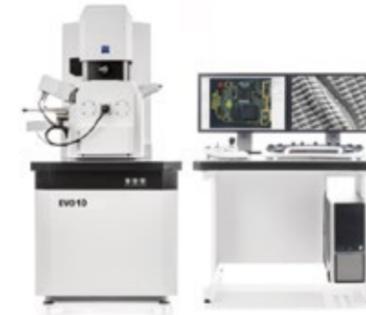
Independently developed testing instruments:

- Limit RPM detector
- Elasticity tester
- Conical deformation tester
- Toughness tester
- Seam gauge detector



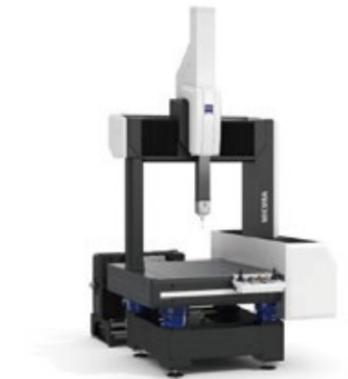
电镜分析仪

Electron microscopy



三坐标测量机

CMM



金相显微镜

Metallographic microscope



光谱仪

Spectrometer



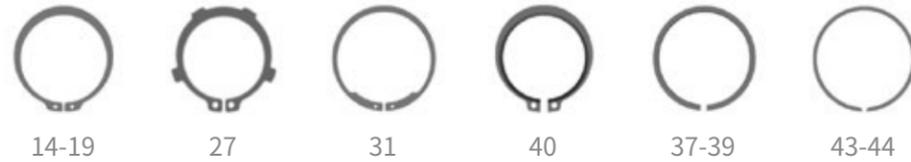
PRODUCT CATALOG

产品目录分类

A PROFESSIONAL MANUFACTURER OF RETAINING RINGS AND WASHER THAT INTEGRATES RESEARCH, AND DEVELOPMENT, PRODUCTION AND MARKETING

轴用:

Shaft



孔用:

Bores



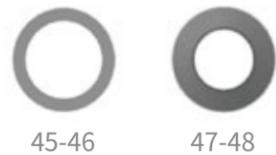
开口挡圈:

E-type Ring



垫圈:

Washer



非标件:

Custom parts



※ 所有规格型号都可按客户非标图纸加工或配合新产品开发。

All specifications and models can be produced according to customers' non-standard drawings also support customers' new project development.

RAW MATERIAL

原材料介绍

A PROFESSIONAL MANUFACTURER OF RETAINING RINGS AND WASHER THAT INTEGRATES RESEARCH, AND DEVELOPMENT, PRODUCTION AND MARKETING

碳素弹簧钢 / Carbon spring steel

65Mn

国内常用弹性材料,制成卡簧后具有较高硬度和强度,同时具有一定韧性和塑性,以防止在冲击力作用下突然脆断;相同表面状态 and 完全淬透情况下,疲劳极限与五彩合金弹性相当。

The commonly used elastic material in China with high hardness and strength.also has certain toughness and plasticity to prevent sudden brittle break under the impact force. The fatigue limit is equivalent to the elasticity of alloy under the same surface state and full quenching.

C67S

国外引进新牌号,弹性挡圈专用材料、微量元素的设计成分,制作弹性挡圈后实现强度和塑性最佳配合,具有高的弹性极限和高疲劳极限。原材料高洁净钢选用到表面无缺陷过程控制,相同表模状态和完全淬透情况下,弹性挡圈回弹性即使在高应力和高频率下也能保持稳定性能。

New material imported from abroad, special materials for elastic rings, design components of trace elements,The best fit of strength and plasticity can be achieved after making the elastic ring, which has a high elastic limit and high fatigue limits. In the same mold state and fully quenched case, the retaining ring resilience even at high stress.It can also maintain stable performance at high frequencies and forces.

C75S

国外引进新牌号,弹性挡圈专用材料、微量元素的设计成分,制作弹性挡圈后实现强度和塑性最佳配合,具有高的弹性极限和高疲劳极限。原材料高洁净钢选用到表面无缺陷过程控制,相同表模状态和完全淬透情况下,弹性挡圈回弹性即使在高应力和高频率下也能保持稳定性能。适用于大规格弹性挡圈的原材料选用。

New material imported from abroad, special materials for elastic rings, design components of trace elements,The best fit of strength and plasticity can be achieved after making the elastic ring, which has a high elastic limit and high fatigue limits. In the same mold state and fully quenched case, the retaining ring resilience even at high stress. It can also maintain stable performance at high frequencies and forces. Suitable for larger size retaining ring material selection.

其余常见各国牌号碳素弹簧钢,如50CrV4、60Si2Mn等可咨询制造商。

The rest of the common national grades of carbon spring steel, such as 50CrV4, 60Si2Mn, etc.please contact manufacture for futher information.

不锈钢 / Stainless steel

2Cr13

2Cr13不锈钢是一种常用的不锈钢材料,具有优异的耐腐蚀性和耐磨性。它由铬、镍和钼等元素组成,具有良好的硬度和强度,能够在高温和酸碱环境下保持稳定性能。

2Cr13 stainless steel is a commonly used stainless steel material with excellent corrosion and wear resistance. It is composed of chromium, nickel and molybdenum and other elements, has good hardness and strength, can maintain stability in high temperature and acid and alkali environment.

1.4122

1.4122的主要特点是高硬度、耐腐蚀性能好、机械性能强、磨削性能好、具有良好的耐热性和耐疲劳性;

he main features of 1.4122 are high hardness, good corrosion resistance, strong mechanical properties, good grinding performance, good heat resistance and fatigue resistance.

其余常见各国牌号不锈钢,如304、301、316等可咨询制造商。

The rest of the common national grades of stainless steel, such as 304, 301, 316, etc.please contact manufacture for futher information.

低碳钢 / Lower-Carbon Steel

一般是指含碳量在0.10~0.25%之间的钢,退火组织为铁素体和少量珠光体,其强度和硬度较低,塑性和韧性较好。因此,其冷成形性良好,可采用卷边、折弯、冲压等方法进行冷成形。

Generally refers to the carbon content between 0.10 ~ 0.25% of steel, annealed structure for ferrite and a small amount of pearlite, its strength and hardness is lower, plasticity and toughness is better. Therefore, its cold formability is good, and it can be cold formed by rolling, bending, stamping and other methods.

HEAT TREATMENT AND SURFACE TREATMENT 热处理及表面处理

硬度:轴用、孔用挡圈 / Hardness: For Shaft and Bores Retaining Ring

材料名称 Material	规格 Specification	硬度 Hardness	
		维氏硬度 Vickers	洛氏硬度 Rockwell
碳素弹簧钢 Carbon spring steel	8-48	470-580HV	47-54HRC
	50-200	435-530HV	44-51HRC
	202-300	390-470HV	40-47HRC
	305-1000	370-415HV	38-45HRC

备注:其他材料与规格的产品硬度,可与制造商沟通确认。 Note: The hardness of other materials and specifications can be confirmed with the manufacturer.

表面处理:各类挡圈、垫圈、止动环等 / Surface treatment: For types of Retaining ring, washer, stop ring, etc.

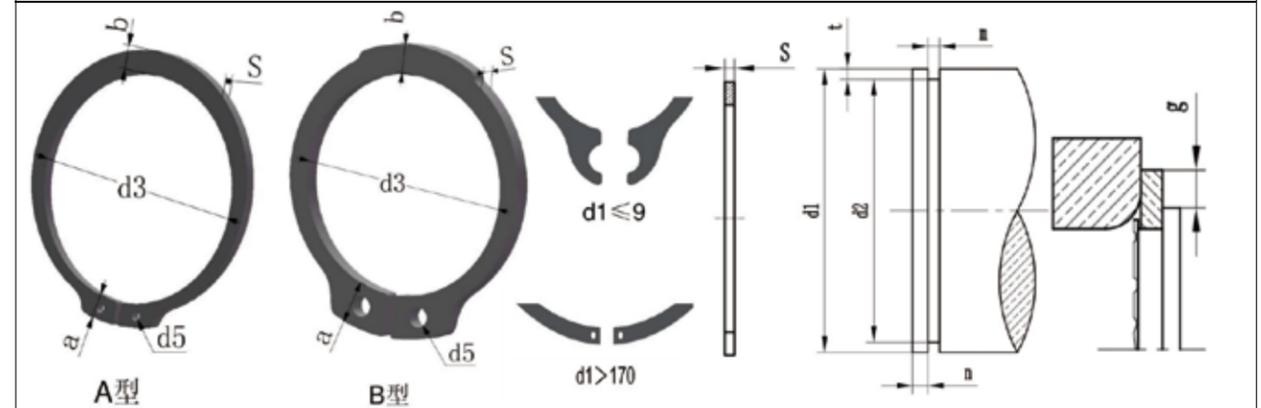
序号 #	表面处理方式 Surface treatment	盐雾试验要求 Salt spray test requirements	颜色 Colour	备注 Notes
1	磷化(锌/锰) Phosphating (zinc/manganese)	8H	灰黑色 Ash black	自制 Produced in house
2	机械镀锌 Mechanical galvanizing	100H	银白色 Silver	委外 outsource
3	彩锌 Colored zinc	70H	白色 White	委外 outsource
4	达克罗 Dacromet	400H	银白色 Silver	委外 outsource
5	久美特 Gumet	400H	灰色 Gray	委外 outsource
6	电泳 Electrophoresis	200H	黑色 Black	委外 outsource
7	美加力 Megalide	400H	微黄 Light yellow	委外 outsource
8	镀锌镍 Galvanized nickel	200H	暗灰色 Dusky gray	委外 outsource
9	钝化 Passivation	96H	银白色 Silver	委外 outsource

备注:其他特殊表面处理要求,可与制造商沟通确认。 Note: Other special surface treatment requirements can be confirmed with the manufacturer.



轴用弹性挡圈 (3-1000)

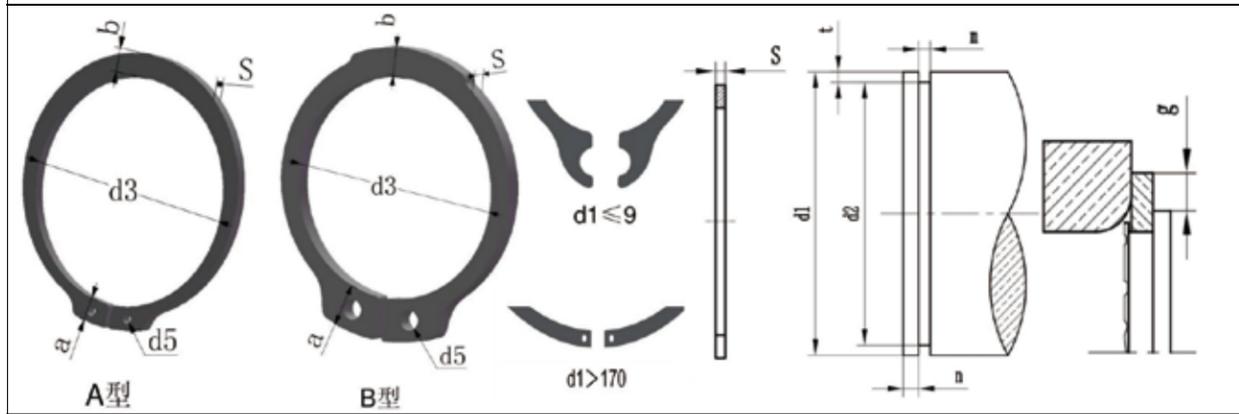
参考标准: DIN471、GB894-2017



d1:规格/公称尺寸; S:厚度;d3:内径;a:头高; ≈b:肩宽;d5:小孔; Wt:重量; FN:沟槽承载力; FR:挡圈承载力(直角); g:倒角尺寸; FRg:挡圈承载力(倒角); nabl:极限转速

d1	S	To1	d3	To1	a Max	≈b	d5 Min	Wt (g)	d2	To1	m	t	N	FN (KN)	FR (KN)	g	FRg (KN)	K N • mm	n abl x1000
3	0.40	-0.05	2.7	+0.04 -0.15	1.9	0.8	1	0.017	2.8	-0.04	0.5	0.1	0.3	0.10	0.47	0.5	0.27	2.06	360
4	0.40	-0.05	3.7	+0.04 -0.15	2.2	0.9	1	0.022	3.8	-0.04	0.5	0.1	0.3	0.20	0.50	0.5	0.3	1.93	211
5	0.60	-0.05	4.7	+0.04 -0.15	2.5	1.1	1	0.066	4.8	-0.04	0.7	0.1	0.3	0.20	1.00	0.5	0.8	7.38	154
6	0.70	-0.05	5.6	+0.04 -0.15	2.7	1.3	1.2	0.084	5.7	-0.04	0.8	0.15	0.5	0.40	1.45	0.5	0.9	10.4	114
7	0.80	-0.05	6.5	+0.06 -0.18	3.1	1.4	1.2	0.121	6.7	-0.06	0.9	0.15	0.5	0.50	2.60	0.5	1.4	14.7	121
8	0.80	-0.05	7.4	+0.06 -0.18	3.2	1.5	1.2	0.158	7.6	-0.06	0.9	0.2	0.6	0.80	3.00	0.5	2	14.2	96
9	1.00	-0.06	8.4	+0.06 -0.18	3.3	1.7	1.2	0.3	8.6	-0.06	1.1	0.2	0.6	0.90	3.50	0.5	2.4	30	85
10	1.00	-0.06	9.3	+0.10 -0.36	3.3	1.8	1.5	0.34	9.6	-0.11	1.1	0.2	0.6	1.00	4.00	1	2.4	28.2	84
11	1.00	-0.06	10.2	+0.10 -0.36	3.3	1.8	1.5	0.41	10.5	-0.11	1.1	0.25	0.8	1.40	4.50	1	2.4	26.1	70
12	1.00	-0.06	11	+0.10 -0.36	3.3	1.8	1.7	0.5	11.5	-0.11	1.1	0.25	0.8	1.50	5.00	1	2.4	24	75
13	1.00	-0.06	11.9	+0.10 -0.36	3.4	2	1.7	0.53	12.4	-0.11	1.1	0.3	0.9	2.00	5.80	1	2.4	23.2	66
14	1.00	-0.06	12.9	+0.10 -0.36	3.5	2.1	1.7	0.64	13.4	-0.11	1.1	0.3	0.9	2.10	6.40	1	2.4	22.9	58
15	1.00	-0.06	13.8	+0.10 -0.36	3.6	2.2	1.7	0.67	14.3	-0.11	1.1	0.35	1.1	2.60	6.90	1	2.4	21.6	50
16	1.00	-0.06	14.7	+0.10 -0.36	3.7	2.2	1.7	0.7	15.2	-0.11	1.1	0.4	1.2	3.20	7.40	1	2.4	21	45
17	1.00	-0.06	15.7	+0.10 -0.36	3.8	2.3	1.7	0.82	16.2	-0.11	1.1	0.4	1.2	3.40	8.00	1	2.4	21.6	41
18	1.20	-0.06	16.5	+0.10 -0.36	3.9	2.4	2	1.11	17	-0.11	1.3	0.5	1.5	4.50	17.00	1.5	3.75	37.1	39
19	1.20	-0.06	17.5	+0.10 -0.36	3.9	2.5	2	1.22	18	-0.11	1.3	0.5	1.5	4.80	17.00	1.5	3.8	36.4	35
20	1.20	-0.06	18.5	+0.13 -0.42	4	2.6	2	1.3	19	-0.13	1.3	0.5	1.5	5.00	17.10	1.5	3.85	36.3	32
21	1.20	-0.06	19.5	+0.13 -0.42	4.1	2.7	2	1.42	20	-0.13	1.3	0.5	1.5	5.30	16.80	1.5	3.75	35.4	29
22	1.20	-0.06	20.5	+0.13 -0.42	4.2	2.8	2	1.5	21	-0.13	1.3	0.5	1.5	5.60	16.90	1.5	3.8	35.4	27
23	1.20	-0.06	21.5	+0.13 -0.42	4.3	2.9	2	1.63	22	-0.15	1.3	0.5	1.5	5.90	16.60	1.5	3.8	34.7	25
24	1.20	-0.06	22.2	+0.21 -0.42	4.4	3	2	1.77	22.9	-0.21	1.3	0.55	1.7	6.70	16.10	1.5	3.65	33.4	27
25	1.20	-0.06	23.2	+0.21 -0.42	4.4	3	2	1.9	23.9	-0.21	1.3	0.55	1.7	7.00	16.20	1.5	3.7	33.4	25
26	1.20	-0.06	24.2	+0.21 -0.42	4.5	3.1	2	1.96	24.9	-0.21	1.3	0.55	1.7	7.30	16.10	1.5	3.7	32.9	24
27	1.20	-0.06	24.9	+0.21 -0.42	4.6	3.1	2	2.08	25.6	-0.21	1.3	0.7	2.1	9.60	16.40	1.5	3.8	33.4	22
28	1.50	-0.06	25.9	+0.21 -0.42	4.7	3.2	2	2.92	26.6	-0.21	1.6	0.7	2.1	10.00	32.10	1.5	7.5	65	21
29	1.50	-0.06	26.9	+0.21 -0.42	4.8	3.4	2	3.2	27.6	-0.21	1.6	0.7	2.1	10.30	31.80	1.5	7.45	64	20
30	1.50	-0.06	27.9	+0.21 -0.42	5	3.5	2	3.32	28.6	-0.21	1.6	0.7	2.1	10.70	32.10	1.5	7.65	64.2	19
31	1.50	-0.06	28.6	+0.21 -0.42	5.1	3.5	2.5	3.45	29.3	-0.21	1.6	0.85	2.6	13.40	31.50	2	5.6	62.8	18
32	1.50	-0.06	29.6	+0.21 -0.42	5.2	3.6	2.5	3.54	30.3	-0.25	1.6	0.85	2.6	13.80	31.20	2	5.55	61.8	17
33	1.50	-0.06	30.5	+0.25 -0.50	5.2	3.7	2.5	3.69	31.3	-0.25	1.6	0.85	2.6	14.30	31.60	2	5.65	62.2	17
34	1.50	-0.06	31.5	+0.25 -0.50	5.4	3.8	2.5	3.8	32.3	-0.25	1.6	0.85	2.6	14.70	31.30	2	5.6	61.3	16
35	1.50	-0.06	32.2	+0.25 -0.50	5.6	3.9	2.5	4	33	-0.25	1.6	1	3	17.80	30.80	2	5.55	60.1	16
36	1.75	-0.06	33.2	+0.25 -0.50	5.6	4	2.5	5	34	-0.25	1.85	1	3	18.30	49.40	2	9	95.8	15
37	1.75	-0.06	34.2	+0.25 -0.50	5.7	4.1	2.5	5.37	35	-0.25	1.85	1	3	18.80	50.00	2	9.15	96.4	14
38	1.75	-0.06	35.2	+0.25 -0.50	5.8	4.2	2.5	5.62	36	-0.25	1.85	1	3	19.30	49.50	2	9.1	95	14
39	1.75	-0.06	36	+0.25 -0.50	5.9	4.3	2.5	5.85	37	-0.25	1.85	1	3	19.90	49.80	2	9.25	95.2	15
40	1.75	-0.06	36.5	+0.39 -0.90	6	4.4	2.5	6.03	37.5	-0.25	1.85	1.25	3.8	25.30	51.00	2	9.5	97	14

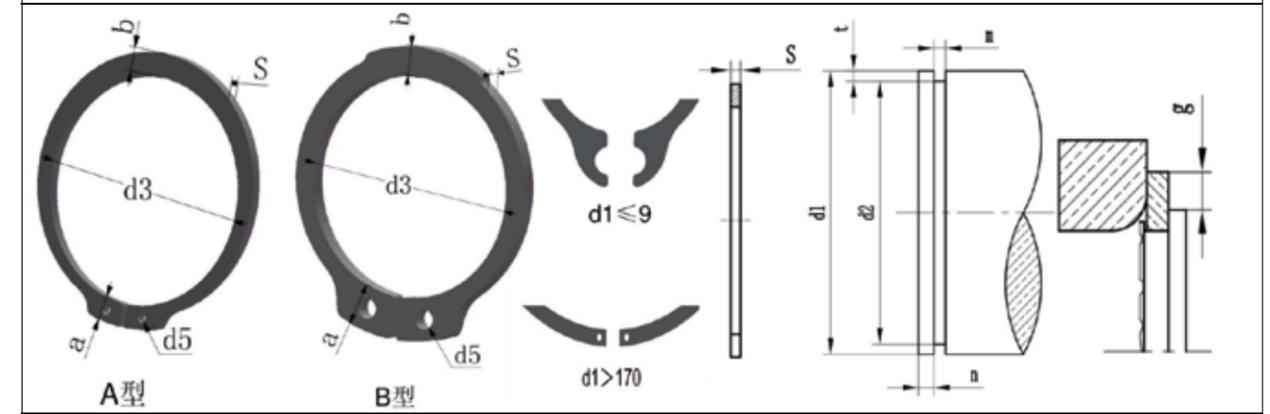
轴用弹性挡圈 (3-1000)
 参考标准: DIN471、GB894-2017



d1:规格/公称尺寸; S:厚度;d3:内径;a:头高; ≈b:肩宽;d5:小孔; Wt:重量; FN:沟槽承载力; FR:挡圈承载力(直角); g:倒角尺寸; FRg:挡圈承载力(倒角); nabl:极限转速

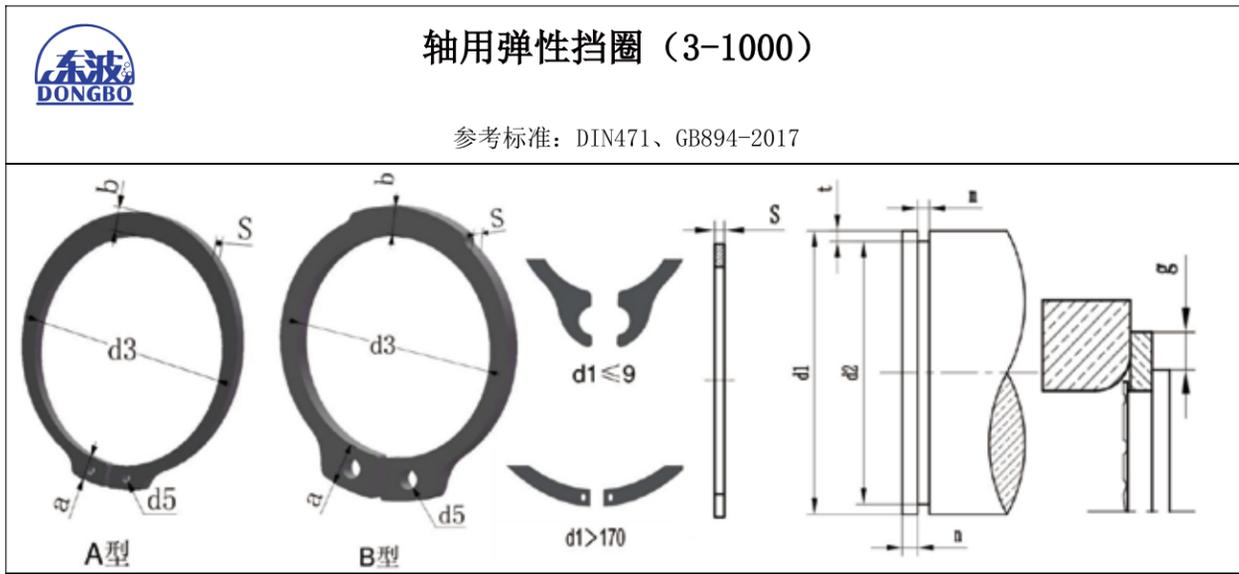
d1	S	To1	d3	To1	a	≈b	d5	Wt(g)	d2	To1	m	t	N	FN (KN)	FR (KN)	g	FRg (KN)	K N·mm	n abl x1000
41	1.75	-0.06	37.5	+0.39 -0.90	6.2	4.5	2.5	6.215	38.5	-0.25	1.85	1.25	3.8	26.00	50.10	2	9.4	94.5	14
42	1.75	-0.06	38.5	+0.39 -0.90	6.5	4.5	2.5	6.5	39.5	-0.25	1.85	1.25	3.8	26.70	50.00	2	9.45	93.7	13
44	1.75	-0.06	40.5	+0.39 -0.90	6.6	4.6	2.5	7	41.5	-0.25	1.85	1.25	3.8	28.00	48.50	2	9.2	90.7	12
45	1.75	-0.06	41.5	+0.39 -0.90	6.7	4.7	2.5	7.5	42.5	-0.25	1.85	1.25	3.8	28.60	49.00	2	9.35	91	11
46	1.75	-0.06	42.5	+0.39 -0.90	6.7	4.8	2.5	7.6	43.5	-0.25	1.85	1.25	3.8	29.40	48.90	2	9.4	90.2	11
47	1.75	-0.06	43.5	+0.39 -0.90	6.8	4.9	2.5	7.5	44.5	-0.25	1.85	1.25	3.8	30.00	49.50	2	9.55	90.7	11
48	1.75	-0.06	44.5	+0.39 -0.90	6.9	5	2.5	7.9	45.5	-0.25	1.85	1.25	3.8	30.70	49.40	2	9.55	90	10
50	2.00	-0.07	45.8	+0.39 -0.90	6.9	5.1	2.5	10.2	47	-0.25	2.15	1.5	4.5	38.00	73.30	2	14.4	133	11
52	2.00	-0.07	47.8	+0.39 -0.90	7	5.2	2.5	11.1	49	-0.25	2.15	1.5	4.5	39.70	73.10	2.5	11.5	133	10
54	2.00	-0.07	49.8	+0.39 -0.90	7.1	5.3	2.5	11.3	51	-0.30	2.15	1.5	4.5	41.20	71.20	2.5	11.3	129	9
55	2.00	-0.07	50.8	+0.46 -1.10	7.2	5.4	2.5	11.4	52	-0.30	2.15	1.5	4.5	42.00	71.40	2.5	11.4	130	9
56	2.00	-0.07	51.8	+0.46 -1.10	7.3	5.5	2.5	11.8	53	-0.30	2.15	1.5	4.5	42.80	70.80	2.5	11.3	129	9
57	2.00	-0.07	52.8	+0.46 -1.10	7.3	5.5	2.5	12.2	54	-0.30	2.15	1.5	4.5	43.70	70.90	2.5	11.4	128	8
58	2.00	-0.07	53.8	+0.46 -1.10	7.3	5.6	2.5	12.6	55	-0.30	2.15	1.5	4.5	44.30	71.10	2.5	11.5	129	8
60	2.00	-0.07	55.8	+0.46 -1.10	7.4	5.8	2.5	12.9	57	-0.30	2.15	1.5	4.5	46.00	69.20	2.5	11.3	126	8
62	2.00	-0.07	57.8	+0.46 -1.10	7.5	6	2.5	14.3	59	-0.30	2.15	1.5	4.5	47.50	69.30	2.5	11.4	126	7
63	2.00	-0.07	58.8	+0.46 -1.10	7.6	6.2	2.5	15.9	60	-0.30	2.15	1.5	4.5	48.30	70.20	2.5	11.6	126	7
65	2.50	-0.07	60.8	+0.46 -1.10	7.8	6.3	3	18.2	62	-0.30	2.65	1.5	4.5	49.80	135.00	2.5	22.7	245	7
67	2.50	-0.07	62.5	+0.46 -1.10	7.9	6.4	3	20.3	64	-0.30	2.65	1.5	4.5	51.30	136.00	2.5	23	245	7
68	2.50	-0.07	63.5	+0.46 -1.10	8	6.5	3	21.8	65	-0.30	2.65	1.5	4.5	52.20	135.00	2.5	23.1	244	7
70	2.50	-0.07	65.5	+0.46 -1.10	8.1	6.6	3	22	67	-0.30	2.65	1.5	4.5	53.80	134.00	2.5	23	241	7
72	2.50	-0.07	67.5	+0.46 -1.10	8.2	6.8	3	22.5	69	-0.30	2.65	1.5	4.5	55.30	131.00	2.5	22.8	236	6
75	2.50	-0.07	70.5	+0.46 -1.10	8.4	7	3	24.6	72	-0.30	2.65	1.5	4.5	57.60	130.00	2.5	22.8	234	6
77	2.50	-0.07	72.5	+0.46 -1.10	8.5	7.2	3	25.7	74	-0.30	2.65	1.5	4.5	59.30	131.00	3	19.7	238	6
78	2.50	-0.07	73.5	+0.46 -1.10	8.6	7.3	3	26.2	75	-0.30	2.65	1.5	4.5	60.00	131.00	3	19.7	239	5
80	2.50	-0.07	74.5	+0.46 -1.10	8.6	7.4	3	27.3	76.5	-0.30	2.65	1.75	5.3	71.60	128.00	3	19.5	236	6
82	2.50	-0.07	76.5	+0.46 -1.10	8.7	7.6	3	31.2	78.5	-0.30	2.65	1.75	5.3	73.50	128.00	3	19.6	237	6
85	3.00	-0.08	79.5	+0.46 -1.10	8.7	7.8	3.5	36.4	81.5	-0.35	3.15	1.75	5.3	76.20	215.00	3	33.4	405	6
87	3.00	-0.08	81.5	+0.54 -1.30	8.8	7.9	3.5	39.8	83.5	-0.35	3.15	1.75	5.3	78.20	222.00	3	34.8	405	5
88	3.00	-0.08	82.5	+0.54 -1.30	8.8	8	3.5	41.2	84.5	-0.35	3.15	1.75	5.3	79.00	221.00	3	34.8	406	5
90	3.00	-0.08	84.5	+0.54 -1.30	8.8	8.2	3.5	44.5	86.5	-0.35	3.15	1.75	5.3	80.00	217.00	3	34.4	401	5
92	3.00	-0.08	86.5	+0.54 -1.30	9	8.4	3.5	46	88.5	-0.35	3.15	1.75	5.3	82.00	217.00	3.5	29.6	404	5
95	3.00	-0.08	89.5	+0.54 -1.30	9.4	8.6	3.5	49	91.5	-0.35	3.15	1.75	5.3	85.00	212.00	3.5	29.2	400	5
97	3.00	-0.08	91.5	+0.54 -1.30	9.4	8.8	3.5	50.2	93.5	-0.35	3.15	1.75	5.3	87.00	211.00	3.5	29.4	401	4
98	3.00	-0.08	91.5	+0.54 -1.30	9.4	8.8	3.5	50.2	94.5	-0.35	3.15	1.75	5.3	88.00	208.00	3.5	29	397	4
100	3.00	-0.08	94.5	+0.54 -1.30	9.6	9	3.5	53.7	96.5	-0.35	3.15	1.75	5.3	90.00	206.00	3.5	29	397	4
102	4.00	-0.10	95	+0.54 -1.30	9.7	9.2	3.5	78	98	-0.54	4.15	2	6	104.00	482.00	3.5	68.5	935	5
105	4.00	-0.10	98	+0.54 -1.30	9.9	9.3	3.5	80	101	-0.54	4.15	2	6	107.00	471.00	3.5	67.7	925	5

轴用弹性挡圈 (3-1000)
 参考标准: DIN471、GB894-2017



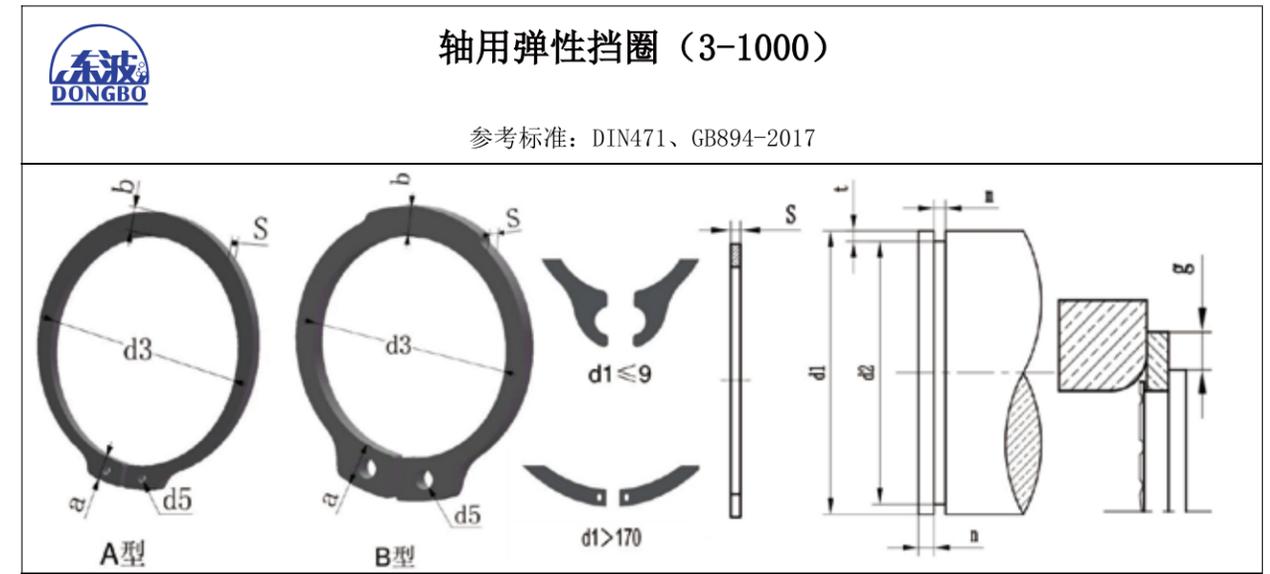
d1:规格/公称尺寸; S:厚度;d3:内径;a:头高; ≈b:肩宽;d5:小孔; Wt:重量; FN:沟槽承载力; FR:挡圈承载力(直角); g:倒角尺寸; FRg:挡圈承载力(倒角); nabl:极限转速

d1	S	To1	d3	To1	a	≈b	d5	Wt(g)	d2	To1	m	t	N	FN (KN)	FR (KN)	g	FRg (KN)	K N·mm	n abl x1000
107	4.00	-0.10	100	+0.54 -1.30	10	9.5	3.5	81	103	-0.54	4.15	2	6	110.00	465.00	3.5	67.3	920	5
108	4.00	-0.10	100	+0.54 -1.30	10	9.5	3.5	81	104	-0.54	4.15	2	6	111.00	459.00	3.5	66.3	912	4
110	4.00	-0.10	103	+0.54 -1.30	10.1	9.6	3.5	82	106	-0.54	4.15	2	6	113.00	457.00	3.5	66.9	914	4
112	4.00	-0.10	105	+0.54 -1.30	10.3	9.7	3.5	83	108	-0.54	4.15	2	6	115.00	451.00	3.5	66.6	910	4
115	4.00	-0.10	108	+0.54 -1.30	10.6	9.8	3.5	84	111	-0.54	4.15	2	6	118.00	438.00	3.5	65.5	894	4
117	4.00	-0.10	110	+0.54 -1.30	10.8	10	3.5	85	113	-0.54	4.15	2	6	120.00	437.00	3.5	65.6	899	4
118	4.00	-0.10	110	+0.54 -1.30	10.8	10	3.5	85	114	-0.54	4.15	2	6	121.00	430.00	3.5	64.8	887	4
120	4.00	-0.10	113	+0.54 -1.30	11	10.2	3.5	86	116	-0.54	4.15	2	6	123.00	424.00	3.5	64.5	882	4
122	4.00	-0.10	115	+0.54 -1.30	11.2	10.3	4	88	118	-0.54	4.15	2	6	125.00	418.00	4	56.6	875	4
125	4.00	-0.10	118	+0.54 -1.30	11.4	10.4	4	90	121	-0.63	4.15	2	6	128.00	411.00	4	56.5	870	3
127	4.00	-0.10	120	+0.54 -1.30	11.4	10.5	4	95	123	-0.63	4.15	2	6	130.00	407.00	4	56.1	868	3
128	4.00	-0.10	120	+0.54 -1.30	11.4	10.5	4	95	124	-0.63	4.15	2	6	131.00	401.00	4	55.6	859	3
130	4.00	-0.10	123	+0.63 -1.50	11.6	10.7	4	100	126	-0.63	4.15	2	6	134.00	395.00	4	55.2	852	3
132	4.00	-0.10	125	+0.63 -1.50	11.7	10.8	4	103	128	-0.63	4.15	2	6	136.00	396.00	4	55.6	859	3
135	4.00	-0.10	128	+0.63 -1.50	11.8	11	4	104	131	-0.63	4.15	2	6	139.00	389.00	4	55.4	854	3
137	4.00	-0.10	130	+0.63 -1.50	11.9	11	4	107	133	-0.63	4.15	2	6	141.00	380.00	4	54.4	840	3
138	4.00	-0.10	130	+0.63 -1.50	11.9	11	4	107	134	-0.63	4.15	2	6	142.00	381.00	4	54.7	845	3
140	4.00	-0.10	133	+0.63 -1.50	12	11.2	4	110	136	-0.63	4.15	2	6	144.00	376.00	4	54.4	840	3
142	4.00	-0.10	135	+0.63 -1.50	12.1	11.3	4	112	138	-0.63	4.15	2	6	146.00	370.00	4	54	833	3
145	4.00	-0.10	138	+0.63 -1.50	12.2	11.5	4	115	141	-0.63	4.15	2	6	149.00	367.00	4	53.8	833	3
147	4.00	-0.10	140	+0.63 -1.50	12.3	11.6	4	116	143	-0.63	4.15	2	6	151.00	361.00	4	53.5	826	3
148	4.00	-0.10	140	+0.63 -1.50	12.3	11.6	4	116	144	-0.63	4.15	2	6	152.00	357.00	4	53	820	2
150	4.00	-0.10	142	+0.63 -1.50	13	11.8	4	120	145	-0.63	4.15	2.5	7.5	193.00	357.00	4	53.4	825	2
152	4.00	-0.10	143	+0.63 -1.50	13	11.9	4	128	147	-0.63	4.15	2.5	7.5	195.00	356.00	4	53.1	822	3
155	4.00	-0.10	146	+0.63 -1.50	13	12	4	135	150	-0.63	4.15	2.5	7.5	199.00	352.00	4	52.6	814	



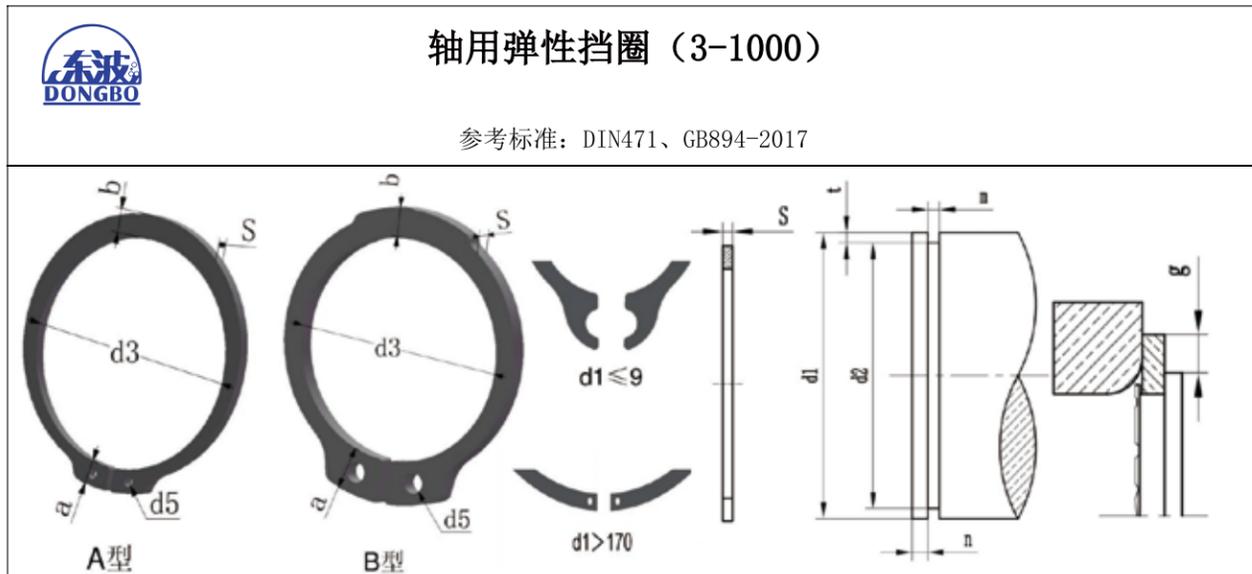
d1:规格/公称尺寸; S:厚度;d3:内径;a:头高; ≈b:肩宽;d5:小孔; Wt:重量; FN:沟槽承载力; FR:挡圈承载力(直角); g:倒角尺寸; FRg:挡圈承载力(倒角); nabl:极限转速

d1	S	To1	d3	To1	a Max	≈b	d5 Min	Wt(g)	d2	To1	m	t	N	FN (KN)	FR (KN)	g	FRg (KN)	K N·mm	n abl x1000
182	4.00	-0.10	170.5	+0.63 -1.50	14.2	13.5	4	190	177	-0.63	4.15	2.5	7.5	235.00	341.00	5	41	789	2
185	4.00	-0.10	175.5	+0.63 -1.50	14.2	13.5	4	200	180	-0.63	4.15	2.5	7.5	238.00	336.00	5	40.4	777	2
187	4.00	-0.10	177.5	+0.63 -1.50	14.2	14	4	203	182	-0.72	4.15	2.5	7.5	241.00	338.00	5	40.5	781	2
188	4.00	-0.10	177.5	+0.63 -1.50	14.2	14	4	203	183	-0.72	4.15	2.5	7.5	242.00	337.00	5	40.6	779	2
190	4.00	-0.10	180.5	+0.72 -1.70	14.2	14	4	210	185	-0.72	4.15	2.5	7.5	245.00	333.00	5	40	770	2
192	4.00	-0.10	180.5	+0.72 -1.70	14.2	14	4	210	187	-0.72	4.15	2.5	7.5	248.00	330.00	5	39.6	763	2
195	4.00	-0.10	185.5	+0.72 -1.70	14.2	14	4	220	190	-0.72	4.15	2.5	7.5	251.00	325.00	5	39	751	2
197	4.00	-0.10	187.5	+0.72 -1.70	14.2	14	4	223	192	-0.72	4.15	2.5	7.5	254.00	322.00	5	38.6	744	2
198	4.00	-0.10	187.5	+0.72 -1.70	14.2	14	4	223	193	-0.72	4.15	2.5	7.5	255.00	322.00	5	38.7	739	2
200	4.00	-0.10	190.5	+0.72 -1.70	14.2	14	4	230	195	-0.72	4.15	2.5	7.5	258.00	319.00	5	38.3	731	2
202	5.00	-0.12	190	+0.72 -1.70	14.2	14	4	235	196	-0.72	5.15	3	9	312.00	624.00	6	62.5	1430	2
205	5.00	-0.12	193	+0.72 -1.70	14.2	14	4	243	199	-0.72	5.15	3	9	317.00	611.00	6	61.3	1401	2
207	5.00	-0.12	193	+0.72 -1.70	14.2	14	4	243	201	-0.72	5.15	3	9	320.00	608.00	6	60.9	1392	2
208	5.00	-0.12	193	+0.72 -1.70	14.2	14	4	243	202	-0.72	5.15	3	9	321.00	605.00	6	60.5	1385	2
210	5.00	-0.12	198	+0.72 -1.70	14.2	14	4	248	204	-0.72	5.15	3	9	325.00	598.00	6	59.9	1370	2
212	5.00	-0.12	198	+0.72 -1.70	14.2	14	4	248	206	-0.72	5.15	3	9	328.00	593.00	6	59.5	1359	2
215	5.00	-0.12	203	+0.72 -1.70	14.2	14	4	260	209	-0.72	5.15	3	9	332.00	585.00	6	58.5	1340	2
217	5.00	-0.12	203	+0.72 -1.70	14.2	14	4	260	211	-0.72	5.15	3	9	336.00	580.00	6	58.1	1330	2
218	5.00	-0.12	203	+0.72 -1.70	14.2	14	4	260	212	-0.72	5.15	3	9	337.00	577.00	6	57.8	1322	2
220	5.00	-0.12	208	+0.72 -1.70	14.2	14	4	265	214	-0.72	5.15	3	9	340.00	572.00	6	57.3	1311	2
222	5.00	-0.12	208	+0.72 -1.70	14.2	14	4	265	216	-0.72	5.15	3	9	343.00	567.00	6	56.8	1300	2
225	5.00	-0.12	213	+0.72 -1.70	14.2	14	4	280	219	-0.72	5.15	3	9	349.00	559.00	6	56	1282	2
227	5.00	-0.12	213	+0.72 -1.70	14.2	14	4	280	221	-0.72	5.15	3	9	351.00	555.00	6	55.5	1271	1
228	5.00	-0.12	213	+0.72 -1.70	14.2	14	4	280	222	-0.72	5.15	3	9	353.00	552.00	6	55.4	1265	1
230	5.00	-0.12	218	+0.72 -1.70	14.2	14	4	290	224	-0.72	5.15	3	9	356.00	548.00	6	55	1257	1
232	5.00	-0.12	218	+0.72 -1.70	14.2	14	4	290	226	-0.72	5.15	3	9	359.00	543.00	6	54.5	1243	1
235	5.00	-0.12	223	+0.72 -1.70	14.2	14	4	305	229	-0.72	5.15	3	9	364.00	537.00	6	53.8	1230	1
237	5.00	-0.12	223	+0.72 -1.70	14.2	14	4	305	231	-0.72	5.15	3	9	367.00	532.00	6	53.4	1220	1
238	5.00	-0.12	223	+0.72 -1.70	14.2	14	4	305	232	-0.72	5.15	3	9	369.00	530.00	6	53	1214	1
240	5.00	-0.12	228	+0.72 -1.70	14.2	14	4	310	234	-0.72	5.15	3	9	372.00	530.00	6	53	1214	1
242	5.00	-0.12	228	+0.72 -1.70	14.2	14	4	310	236	-0.72	5.15	3	9	375.00	520.00	6	52.2	1193	1
245	5.00	-0.12	233	+0.72 -1.70	14.2	14	4	325	239	-0.72	5.15	3	9	380.00	515.00	6	51.5	1180	1
247	5.00	-0.12	233	+0.72 -1.70	14.2	14	4	325	241	-0.72	5.15	3	9	383.00	511.00	6	51.2	1171	1
248	5.00	-0.12	233	+0.72 -1.70	14.2	14	4	325	242	-0.72	5.15	3	9	385.00	508.00	6	50.9	1164	1
250	5.00	-0.12	238	+0.72 -1.70	14.2	14	4	335	244	-0.72	5.15	3	9	388.00	504.00	6	50.5	1155	1
252	5.00	-0.12	238	+0.72 -1.70	16.2	16	5	335	244	-0.72	5.15	4	12	519.00	563.00	6	56.4	1290	1
255	5.00	-0.12	240	+0.72 -1.70	16.2	16	5	348	247	-0.72	5.15	4	12	525.00	557.00	6	55.7	1276	1
257	5.00	-0.12	240	+0.72 -1.70	16.2	16	5	348	249	-0.72	5.15	4	12	529.00	551.00	6	55.2	1264	1



d1:规格/公称尺寸; S:厚度;d3:内径;a:头高; ≈b:肩宽;d5:小孔; Wt:重量; FN:沟槽承载力; FR:挡圈承载力(直角); g:倒角尺寸; FRg:挡圈承载力(倒角); nabl:极限转速

d1	S	To1	d3	To1	a Max	≈b	d5 Min	Wt(g)	d2	To1	m	t	N	FN (KN)	FR (KN)	g	FRg (KN)	K N·mm	n abl x1000
258	5.00	-0.12	240	+0.72 -1.70	16.2	16	5	348	250	-0.72	5.15	4	12	531.00	550.00	6	55.1	1260	1
260	5.00	-0.12	245	+0.72 -1.70	16.2	16	5	355	252	-0.81	5.15	4	12	535.00	540.00	6	54.6	1250	1
262	5.00	-0.12	245	+0.72 -1.70	16.2	16	5	355	254	-0.81	5.15	4	12	540.00	542.00	6	54.4	1242	1
265	5.00	-0.12	250	+0.72 -1.70	16.2	16	5	370	257	-0.81	5.15	4	12	546.00	536.00	6	53.7	1228	1
267	5.00	-0.12	250	+0.72 -1.70	16.2	16	5	370	259	-0.81	5.15	4	12	550.00	532.00	6	53.3	1219	1
268	5.00	-0.12	250	+0.72 -1.70	16.2	16	5	370	260	-0.81	5.15	4	12	553.00	529.00	6	53	1213	1
270	5.00	-0.12	255	+0.81 -2.00	16.2	16	5	375	262	-0.81	5.15	4	12	556.00	525.00	6	52.5	1203	1
272	5.00	-0.12	255	+0.81 -2.00	16.2	16	5	375	264	-0.81	5.15	4	12	560.00	522.00	6	52	1196	1
275	5.00	-0.12	260	+0.81 -2.00	16.2	16	5	390	267	-0.81	5.15	4	12	566.00	516.00	6	51	1183	1
277	5.00	-0.12	260	+0.81 -2.00	16.2	16	5	390	269	-0.81	5.15	4	12	571.00	513.00	6	51	1175	1
278	5.00	-0.12	260	+0.81 -2.00	16.2	16	5	390	270	-0.81	5.15	4	12	574.00	510.00	6	51	1170	1
280	5.00	-0.12	265	+0.81 -2.00	16.2	16	5	398	272	-0.81	5.15	4	12	576.00	508.00	6	50	1164	1
282	5.00	-0.12	265	+0.81 -2.00	16.2	16	5	398	274	-0.81	5.15	4	12	580.00	503.00	6	50	1152	1
285	5.00	-0.12	270	+0.81 -2.00	16.2	16	5	410	277	-0.81	5.15	4	12	587.00	499.00	6	50	1143	1
287	5.00	-0.12	270	+0.81 -2.00	16.2	16	5	410	279	-0.81	5.15	4	12	591.00	494.00	6	49	1133	1
288	5.00	-0.12	270	+0.81 -2.00	16.2	16	5	410	280	-0.81	5.15	4	12	594.00	493.00	6	49	1131	1
290	5.00	-0.12	275	+0.81 -2.00	16.2	16	5	418	282	-0.81	5.15	4	12	599.00	490.00	6	49	1124	1
292	5.00	-0.12	275	+0.81 -2.00	16.2	16	5	418	284	-0.81	5.15	4	12	603.00	487.00	6	48	1116	1
295	5.00	-0.12	280	+0.81 -2.00	16.2	16	5	430	287	-0.81	5.15	4	12	609.00	481.00	6	48	1103	1
297	5.00	-0.12	280	+0.81 -2.00	16.2	16	5	430	289	-0.81	5.15	4	12	613.00	479.00	6	48	1098	1
298	5.00	-0.12	280	+0.81 -2.00	16.2	16	5	430	290	-0.81	5.15	4	12	615.00	476.00	6	47	1092	1
300	5.00	-0.12	285	+0.81 -2.00	16.2	16	5	440	292	-0.81	5.15	4	12	619.00	475.00	6	47	1088	1
305	6.00	-0.15	288	+0.81 -2.00		16 (20)	6	738	295	-0.81	6.2	5	15	785.00	1,036.00	7	89	2374	1
310	6.00	-0.15	293	+0.81 -2.00		16 (20)	6	750	300	-0.81	6.2	5	15	796.00	1,016.00	7	87	2329	1
315	6.00	-0.15	298	+0.81 -2.00		16 (20)	6	760	305	-0.81	6.2	5	15	811.00	1,007.00	7	86	2307	1
320	6.00	-0.15	303	+0.81 -2.00		16 (20)	6	770	310	-0.81	6.2	5	15	825.00	988.00	7	85	2264	1
325	6.00	-0.15	308	+0.81 -2.00		16 (20)	6	787	315	-0.81	6.2	5	15	837.00	975.00	7	83	2233	1
330	6.00	-0.15	313	+0.81 -2.00		16 (20)	6	800	320	-0.89	6.2	5	15	850.00	958.				



轴用弹性挡圈 (3-1000)

参考标准: DIN471、GB894-2017

d1:规格/公称尺寸; S:厚度;d3:内径;a:头高; ≈b:肩宽;d5:小孔; Wt:重量; FN:沟槽承载力; FR:挡圈承载力(直角); g:倒角尺寸; FRg:挡圈承载力(倒角); nab1:极限转速

d1	S	To1	d3	To1	a Max	≈b	d5 Min	Wt(g)	d2	To1	m	t	N	FN (KN)	FR (KN)	g	FRg (KN)	K N·mm	n ab1 x1000
385	6.00	-0.15	368	+0.90 -2.00		16 (20)	6	940	375	-0.89	6.2	5	15	994.00	823.00	7	70	1886	1
390	6.00	-0.15	373	+0.90 -2.00		16 (20)	6	950	380	-0.89	6.2	5	15	1,008.00	814.00	7	70	1865	1
395	6.00	-0.15	378	+0.90 -2.00		16 (20)	6	990	385	-0.89	6.2	5	15	1,021.00	803.00	7	69	1841	1
400	6.00	-0.15	383	+0.90 -2.00		16 (20)	6	1040	390	-0.89	6.2	5	15	1,033.00	793.00	7	69	1817	1
410	7.00	-0.15	390	+0.90 -2.00		23 (26)	6	1320	398	-0.89	7.2	6	18	1,269.00	1,616.00	7	139	3701	1
420	7.00	-0.15	400	+0.90 -2.00		23 (26)	6	1360	408	-1.00	7.2	6	18	1,300.00	1,569.00	7	135	3595	1
430	7.00	-0.15	410	+1.00 -2.00		23 (26)	6	1390	418	-1.00	7.2	6	18	1,332.00	1,540.00	7	132	3527	1
440	7.00	-0.15	420	+1.00 -2.00		23 (26)	6	1420	428	-1.00	7.2	6	18	1,363.00	1,500.00	7	129	3448	1
450	7.00	-0.15	430	+1.00 -2.00		23 (26)	6	1450	438	-1.00	7.2	6	18	1,393.00	1,472.00	7	126	3373	1
460	7.00	-0.15	440	+1.00 -2.00		23 (26)	6	1520	448	-1.00	7.2	6	18	1,426.00	1,443.00	7	124	3305	1
470	7.00	-0.15	450	+1.00 -2.00		23 (26)	6	1590	458	-1.00	7.2	6	18	1,457.00	1,413.00	7	121	3237	1
480	7.00	-0.15	460	+1.00 -2.00		23 (26)	6	1660	468	-1.00	7.2	6	18	1,489.00	1,383.00	7	119	3169	0.5
490	7.00	-0.15	470	+1.00 -2.00		23 (26)	6	1725	478	-1.00	7.2	6	18	1,520.00	1,355.00	7	116	3105	0.5
500	7.00	-0.15	480	+1.00 -2.00		23 (26)	6	1790	488	-1.00	7.2	6	18	1,550.00	1,329.00	7	114	3044	0.5
510	8.00	-0.15	485	+1.00 -2.00		23 (26)	6	2300	496	-1.00	8.2	7	21	1,843.00	1,952.00	7	167	4471	1
520	8.00	-0.15	495	+1.00 -2.00		23 (26)	6	2350	506	-1.00	8.2	7	21	1,880.00	1,910.00	7	164	4387	0.5
530	8.00	-0.15	505	+1.50 -3.00		23 (26)	6	2400	516	-1.00	8.2	7	21	1,916.00	1,878.00	7	161	4302	0.5
540	8.00	-0.15	515	+1.50 -3.00		23 (26)	6	2445	526	-1.00	8.2	7	21	1,953.00	1,846.00	7	158	4229	0.4
550	8.00	-0.15	525	+1.50 -3.00		23 (26)	6	2490	536	-1.00	8.2	7	21	1,986.00	1,812.00	7	155	4150	0.4
560	8.00	-0.15	535	+1.50 -3.00		23 (26)	6	2580	546	-1.00	8.2	7	21	2,026.00	1,777.00	7	153	4071	0.4
570	8.00	-0.15	545	+1.50 -3.00		23 (26)	6	2670	556	-1.00	8.2	7	21	2,063.00	1,750.00	7	150	4009	0.4
580	8.00	-0.15	555	+1.50 -3.00		23 (26)	6	2760	566	-1.00	8.2	7	21	2,100.00	1,718.00	7	147	3936	0.4
590	8.00	-0.15	565	+1.50 -3.00		23 (26)	6	2840	576	-1.00	8.2	7	21	2,136.00	1,689.00	7	145	3869	0.4
600	8.00	-0.15	575	+1.50 -3.00		23 (26)	6	2920	586	-1.00	8.2	7	21	2,170.00	1,600.00	7	143	3807	0.3
650	9.00	-0.20	620	+1.50 -3.00		23 (34)	6	3770	634	-1.00	9.3	8	24	2,640.00	2,810.00	7	242	6447	0.4
700	9.00	-0.20	670	+1.50 -3.00		23 (34)	6	4070	384	-1.00	9.3	8	24	2,890.00	2,615.00	7	225	5990	0.3
750	9.00	-0.20	715	+1.50 -3.00		23 (34)	9	4640	732	-1.00	9.3	9	27	3,490.00	2,450.00	7	207	5606	0.19
800	9.00	-0.20	765	+1.50 -3.00		23 (34)	9	5330	782	-1.00	9.3	9	27	3,730.00	2,299.00	7	195	5261	0.3
850	9.00	-0.20	810	+2.00 -4.00		23 (34)	9	6030	830	-1.00	9.3	10	30	4,400.00	2,166.00	7	183	4956	0.3
900	9.00	-0.20	860	+2.00 -4.00		23 (34)	9	6640	880	-1.00	9.3	10	30	4,650.00	2,047.00	7	173	4684	0.2
950	9.00	-0.20	900	+2.00 -4.00		23 (34)	9	7260	928	-1.00	9.3	11	33	5,400.00	1,945.00	7	165	4451	0.2
1000	9.00	-0.20	950	+2.00 -4.00		23 (34)	9	8130	978	-1.00	9.3	11	33	5,700.00	1,851.00	7	157	4235	0.2

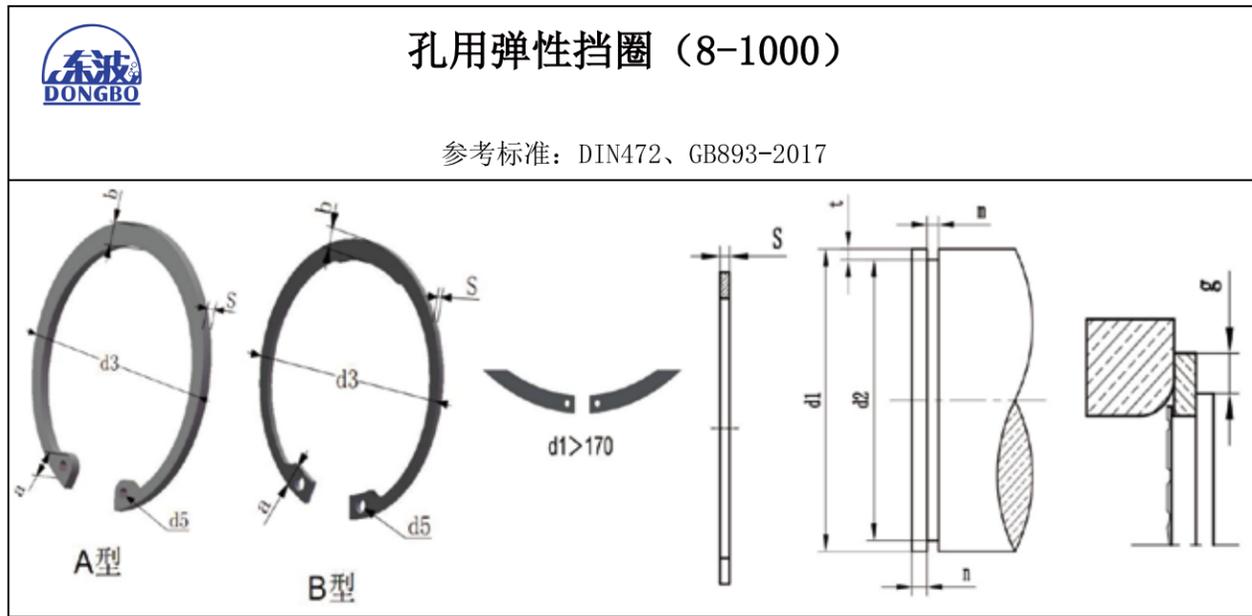


孔用弹性挡圈 (8-1000)

参考标准: DIN472、GB893-2017

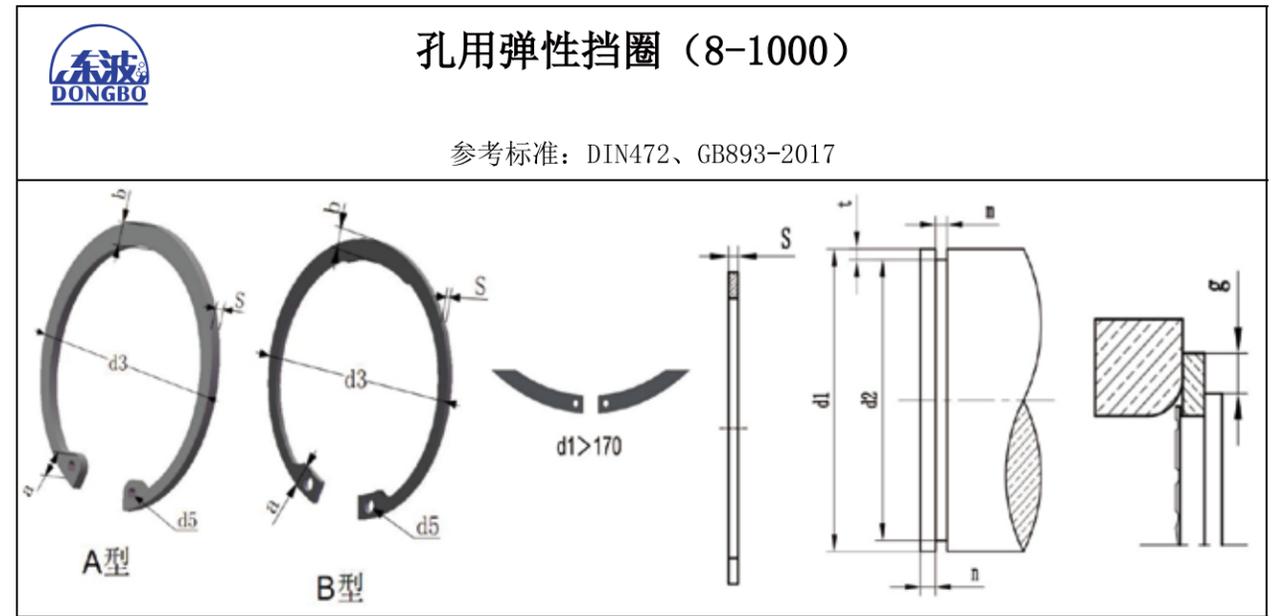
d1:规格/公称尺寸; S:厚度; d3: 外径; a: 头高; ≈b: 肩宽; d5: 小孔; Wt: 重量; FN: 沟槽承载力; FR: 挡圈承载力(直角); g: 倒角尺寸; FRg: 挡圈承载力(倒角);

d1	S	To1	d3	To1	a Max	≈b	d5 Min	Wt(g)	d2	To1	m	t	n	FN (KN)	FR (KN)	g	FRg (KN)	K N·mm
8	0.80	-0.05	8.7	+0.36 -0.10	2.4	1.1	1.0	0.10	8.4	+0.09	0.90	0.20	0.6	0.86	2.0	0.5	1.5	9.2
9	0.80	-0.05	9.8	+0.36 -0.10	2.5	1.3	1.0	0.13	9.4	+0.09	0.90	0.20	0.6	0.96	2.0	0.5	1.5	8.4
10	1.00	-0.06	10.8	+0.36 -0.10	3.2	1.4	1.2	0.26	10.4	+0.11	1.10	0.20	0.6	1.08	4.0	0.5	2.2	19.6
11	1.00	-0.06	11.8	+0.36 -0.10	3.3	1.5	1.2	0.31	11.4	+0.11	1.10	0.20	0.6	1.17	4.0	0.5	2.3	21.0
12	1.00	-0.06	13.0	+0.36 -0.10	3.4	1.7	1.5	0.37	12.5	+0.11	1.10	0.25	0.8	1.60	4.0	0.5	2.3	20.2
13	1.00	-0.06	14.1	+0.36 -0.10	3.6	1.8	1.5	0.42	13.6	+0.11	1.10	0.30	0.9	2.10	4.2	0.5	2.3	20.3
14	1.00	-0.06	15.1	+0.36 -0.10	3.7	1.8	1.7	0.52	14.6	+0.11	1.10	0.30	0.9	2.25	4.5	0.5	2.3	19.7
15	1.00	-0.06	16.2	+0.36 -0.10	3.7	2.0	1.7	0.56	15.7	+0.11	1.10	0.35	1.1	2.80	5.0	0.5	2.3	19.0
16	1.00	-0.06	17.3	+0.36 -0.10	3.8	2.0	1.7	0.60	16.8	+0.11	1.10	0.40	1.2	3.40	5.5	1.0	2.6	18.4
17	1.00	-0.06	18.3	+0.42 -0.13	3.9	2.1	1.7	0.65	17.8	+0.11	1.10	0.40	1.2	3.60	6.0	1.0	2.5	18.1
18	1.00	-0.06	19.5	+0.42 -0.13	4.1	2.2	2.0	0.74	19.0	+0.13	1.10	0.50	1.5	4.80	6.5	1.0	2.6	18.2
19	1.00	-0.06	20.5	+0.42 -0.13	4.1	2.2	2.0	0.73	20.0	+0.13	1.10	0.50	1.5	5.10	6.8	1.0	2.6	17.2
20	1.00	-0.06	21.5	+0.42 -0.13	4.1	2.3	2.0	0.90	21.0	+0.13	1.10	0.50	1.5	5.40	7.2	1.0	2.6	16.9
21	1.00	-0.06	22.5	+0.42 -0.13	4.2	2.4	2.0	1.00	22.0	+0.13	1.10	0.50	1.5	5.70	7.6	1.0	2.6	17.2
22	1.00	-0.06	23.5	+0.42 -0.13	4.2	2.5	2.0	1.10	23.0	+0.13	1.10	0.50	1.5	5.90	8.0	1.0	2.7	17.6
23	1.20	-0.06	24.6	+0.42 -0.13	4.2	2.5	2.0	1.34	24.1	+0.13	1.30	0.55	1.7	6.80	8.0	1.0	4.6	28.8
24	1.20	-0.06	25.9	+0.42 -0.21	4.3	2.6	2.0	1.42	25.2	+0.21	1.30	0.60	1.8	7.70	13.9	1.0	4.6	28.4
25	1.20	-0.06	26.9	+0.42 -0.21	4.5	2.7	2.0	1.50	26.2	+0.21	1.30	0.60	1.8	8.00	14.6	1.0	4.7	29.0
26	1.20	-0.06	27.9	+0.42 -0.21	4.7	2.8	2.0	1.60	27.2	+0.21	1.30	0.60	1.8	8.40	13.8	1.0	4.6	27.8
27	1.20	-0.06	29.1	+0.42 -0.21	4.7	2.9	2.0	1.75	28.4	+0.21	1.30	0.70	2.1	10.10	13.3	1.0	4.5	26.6
28	1.20	-0.06	30.1	+0.50 -0.25	4.8	2.9	2.0	1.80	29.4	+0.21	1.30	0.70	2.1	10.50	13.3	1.0	4.5	26.3
29	1.20	-0.06	31.1	+0.50 -0.25	4.8	3.0	2.0	1.88	30.4	+0.25	1.30	0.70	2.1	10.90	13.6	1.0	4.6	26.8
30	1.20	-0.06	32.1	+0.50 -0.25	4.8	3.0	2.0	2.06	31.4	+0.25	1.30	0.70	2.1	11.30	13.7	1.0	4.6	26.6
31	1.20	-0.06	33.4	+0.50 -0.25	5.2	3.1	2.5	2.10	32.7	+0.25	1.30	0.85	2.6	14.10	13.8	1.0	4.7	26.8
32	1.20	-0.06	34.4	+0.50 -0.25	5.4	3.2	2.5	2.21	33.7	+0.25	1.30	0.85	2.6	14.60	13.8	1.0	4.7	26.6
33	1.20	-0.06	35.5	+0.50 -0.25	5.4	3.3	2.5	2.40	34.7	+0.25	1.30	0.85	2.6	15.00	14.3	1.0	4.9	27.0
34	1.50	-0.06	36.5	+0.50 -0.25	5.4	3.3	2.5	3.20	35.7	+0.25	1.60	0.85	2.6	15.40	26.2	1.5	6.3	50.0
35	1.50	-0.06	37.8	+0.50 -0.25	5.4	3.4	2.5	3.54	37.0	+0.25	1.60	1.00	3.0	18.80	26.9	1.5	6.4	50.5
36	1.50	-0.06	38.8	+0.50 -0.25	5.4	3.5	2.5	3.70	38.0	+0.25	1.60	1.00	3.0	19.40	26.4	1.5	6.4	50.2
37	1.50	-0.06	39.8	+0.50 -0.25	5.5	3.6	2.5	3.74	39.0	+0.25	1.60	1.00	3.0	19.80	27.1	1.5	6.5	51.0
38	1.50	-0.06	40.8	+0.50 -0.25	5.5	3.7	2.5	3.90	40.0	+0.25	1.60	1.00	3.0	22.50	28.2	1.5	6.7	51.7
39	1.50	-0.06	42.0	+0.90 -0.39	5.6	3.8	2.5	4.00	41.0	+0.25	1.60	1.00	3.0	26.00	28.8			



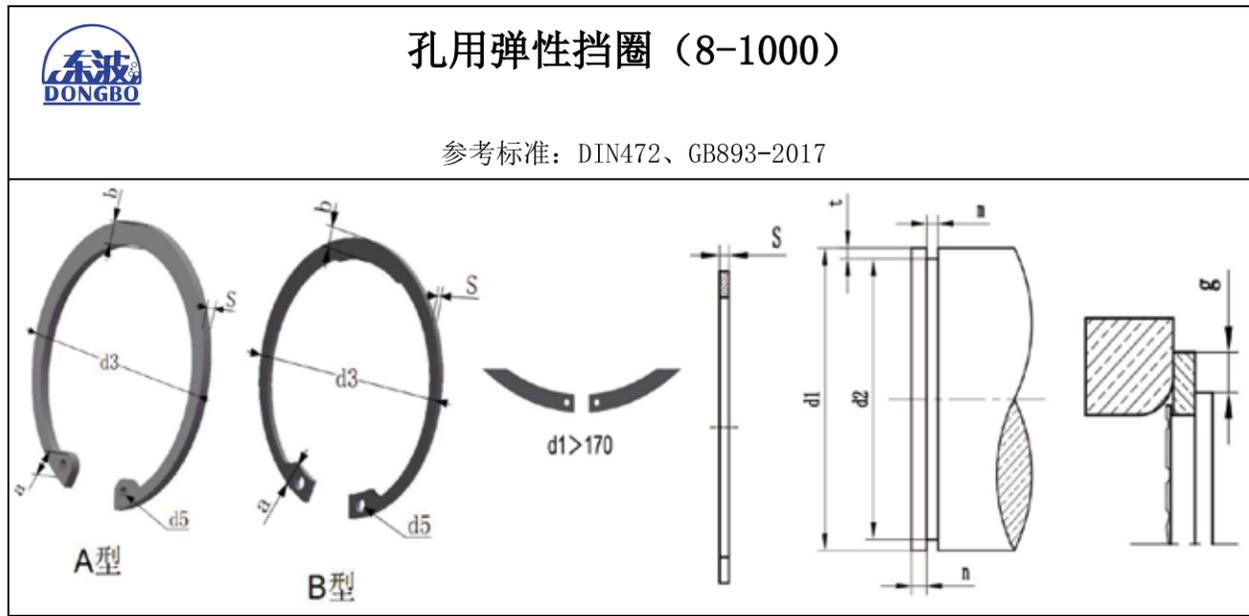
d1:规格/公称尺寸;S:厚度; d3: 外径; a: 头高; ≈b: 肩宽; d5: 小孔;Wt: 重量; FN: 沟槽承载力; FR: 挡圈承载力(直角); g: 倒角尺寸; FRg: 挡圈承载力(倒角);

d1	S	To1	d3	To1	a Max	≈b	d5 Min	Wt(g)	d2	To1	m	t	n	FN (KN)	FR (KN)	g	FRg (KN)	K N • mm
41	1.75	-0.06	44.5	+0.90 -0.39	5.9	4.0	2.5	5.10	43.5	+0.25	1.85	1.25	3.8	27.60	45.0	2.0	8.3	81.2
42	1.75	-0.06	45.5	+0.90 -0.39	5.9	4.1	2.5	5.40	44.5	+0.25	1.85	1.25	3.8	28.40	44.7	2.0	8.4	80.9
43	1.75	-0.06	46.5	+0.90 -0.39	5.9	4.2	2.5	5.60	45.5	+0.25	1.85	1.25	3.8	28.80	44.5	2.0	8.4	80.5
44	1.75	-0.06	47.5	+0.90 -0.39	6.0	4.2	2.5	5.80	46.5	+0.25	1.85	1.25	3.8	29.50	43.3	2.0	8.3	78.6
45	1.75	-0.06	48.5	+0.90 -0.39	6.2	4.3	2.5	6.00	47.5	+0.25	1.85	1.25	3.8	30.20	43.1	2.0	8.2	78.1
46	1.75	-0.06	49.5	+0.90 -0.39	6.3	4.4	2.5	6.05	48.5	+0.25	1.85	1.25	3.8	30.80	42.9	2.0	8.2	77.8
47	1.75	-0.06	50.5	+1.10 -0.46	6.4	4.4	2.5	6.10	49.5	+0.25	1.85	1.25	3.8	31.40	43.5	2.0	8.3	78.9
48	1.75	-0.06	51.5	+1.10 -0.46	6.4	4.5	2.5	6.70	50.5	+0.30	1.85	1.25	3.8	32.00	43.2	2.0	8.4	78.5
50	2.00	-0.07	54.2	+1.10 -0.46	6.5	4.6	2.5	7.30	53.0	+0.30	2.15	1.50	4.5	40.50	60.8	2.0	12.1	111.0
51	2.00	-0.07	55.2	+1.10 -0.46	6.5	4.7	2.5	7.75	54.0	+0.30	2.15	1.50	4.5	41.20	60.2	2.0	12.0	109.0
52	2.00	-0.07	56.2	+1.10 -0.46	6.7	4.7	2.5	8.20	55.0	+0.30	2.15	1.50	4.5	42.00	60.2	2.0	12.0	108.0
53	2.00	-0.07	57.2	+1.10 -0.46	6.7	4.9	2.5	8.22	56.0	+0.30	2.15	1.50	4.5	42.90	60.7	2.0	12.1	110.0
54	2.00	-0.07	58.2	+1.10 -0.46	6.7	5.0	2.5	8.25	57.0	+0.30	2.15	1.50	4.5	43.60	60.4	2.0	12.3	110.0
55	2.00	-0.07	59.2	+1.10 -0.46	6.8	5.0	2.5	8.30	58.0	+0.30	2.15	1.50	4.5	44.40	60.3	2.0	12.5	111.0
56	2.00	-0.07	60.2	+1.10 -0.46	6.8	5.1	2.5	8.80	59.0	+0.30	2.15	1.50	4.5	45.20	60.3	2.0	12.6	111.0
57	2.00	-0.07	61.2	+1.10 -0.46	6.8	5.1	2.5	9.40	60.0	+0.30	2.15	1.50	4.5	46.00	60.8	2.0	12.7	112.0
58	2.00	-0.07	62.2	+1.10 -0.46	6.9	5.2	2.5	10.50	61.0	+0.30	2.15	1.50	4.5	46.70	60.8	2.0	12.7	112.0
60	2.00	-0.07	64.2	+1.10 -0.46	7.3	5.4	2.5	11.10	63.0	+0.30	2.15	1.50	4.5	48.30	61.0	2.0	13.0	113.0
62	2.00	-0.07	66.2	+1.10 -0.46	7.3	5.5	2.5	11.20	65.0	+0.30	2.15	1.50	4.5	49.80	60.9	2.0	13.0	112.0
63	2.00	-0.07	67.2	+1.10 -0.46	7.3	5.6	2.5	12.40	66.0	+0.30	2.15	1.50	4.5	50.60	60.8	2.0	13.0	112.0
64	2.00	-0.07	68.2	+1.10 -0.46	7.4	5.7	2.5	12.45	67.0	+0.30	2.15	1.50	4.5	51.40	60.6	2.0	13.0	112.0
65	2.50	-0.07	69.2	+1.10 -0.46	7.6	5.8	3.0	14.30	68.0	+0.30	2.65	1.50	4.5	51.80	121.0	2.5	20.8	220.0
67	2.50	-0.07	71.5	+1.10 -0.46	7.7	6.0	3.0	15.30	70.0	+0.30	2.65	1.50	4.5	53.80	121.0	2.5	21.1	222.0
68	2.50	-0.07	72.5	+1.10 -0.46	7.8	6.1	3.0	16.00	71.0	+0.30	2.65	1.50	4.5	56.20	119.0	2.5	21.0	218.0
70	2.50	-0.07	74.5	+1.10 -0.46	7.8	6.2	3.0	16.50	73.0	+0.30	2.65	1.50	4.5	56.20	119.0	2.5	21.0	218.0
72	2.50	-0.07	76.5	+1.10 -0.46	7.8	6.4	3.0	18.10	75.0	+0.30	2.65	1.50	4.5	58.00	119.0	2.5	21.0	217.0
75	2.50	-0.07	79.5	+1.10 -0.46	7.8	6.6	3.0	18.80	78.0	+0.30	2.65	1.50	4.5	60.00	118.0	2.5	21.0	215.0
77	2.50	-0.07	82.5	+1.30 -0.54	8.5	6.8	3.0	20.40	80.0	+0.30	2.65	1.50	4.5	61.60	121.0	2.5	21.5	220.0
78	2.50	-0.07	82.5	+1.30 -0.54	8.5	6.8	3.0	20.40	81.0	+0.35	2.65	1.50	4.5	62.30	122.0	2.5	21.8	221.0
80	2.50	-0.07	85.5	+1.30 -0.54	8.5	7.0	3.0	22.00	83.5	+0.35	2.65	1.75	5.3	74.60	120.0	2.5	21.8	219.0
81	2.50	-0.07	86.5	+1.30 -0.54	8.5	7.0	3.0	23.00	84.5	+0.35	2.65	1.75	5.3	75.80	119.0	2.5	21.6	216.0
82	2.50	-0.07	87.5	+1.30 -0.54	8.5	7.0	3.0	24.00	85.5	+0.35	2.65	1.75	5.3	76.60	119.0	2.5	21.4	214.0
83	2.50	-0.07	88.5	+1.30 -0.54	8.5	7.0	3.0	25.00	86.5	+0.35	2.65	1.75	5.3	77.50	118.0	2.5	21.2	213.0



d1:规格/公称尺寸;S:厚度; d3: 外径; a: 头高; ≈b: 肩宽; d5: 小孔;Wt: 重量; FN: 沟槽承载力; FR: 挡圈承载力(直角); g: 倒角尺寸; FRg: 挡圈承载力(倒角);

d1	S	To1	d3	To1	a Max	≈b	d5 Min	Wt(g)	d2	To1	m	t	n	FN (KN)	FR (KN)	g	FRg (KN)	K N • mm
85	3.00	-0.08	90.5	+1.30 -0.54	8.6	7.2	3.5	25.30	88.5	+0.35	3.15	1.75	5.3	79.50	201.0	3.0	31.2	364.0
87	3.00	-0.08	93.5	+1.30 -0.54	8.6	7.4	3.5	31.00	90.5	+0.35	3.15	1.75	5.3	81.30	204.0	3.0	31.8	370.0
88	3.00	-0.08	93.5	+1.30 -0.54	8.6	7.4	3.5	31.00	91.5	+0.35	3.15	1.75	5.3	82.00	209.0	3.0	32.7	380.0
90	3.00	-0.08	95.5	+1.30 -0.54	8.6	7.6	3.5	33.00	93.5	+0.35	3.15	1.75	5.3	84.00	199.0	3.0	31.4	364.0
92	3.00	-0.08	97.5	+1.30 -0.54	8.7	7.8	3.5	35.00	95.5	+0.35	3.15	1.75	5.3	85.00	201.0	3.0	32.0	371.0
95	3.00	-0.08	100.5	+1.30 -0.54	8.8	8.1	3.5	37.00	98.5	+0.35	3.15	1.75	5.3	88.00	195.0	3.0	31.4	365.0
97	3.00	-0.08	103.5	+1.30 -0.54	9.0	8.3	3.5	41.00	100.5	+0.35	3.15	1.75	5.3	90.00	193.0	3.0	31.2	364.0
98	3.00	-0.08	103.5	+1.30 -0.54	9.0	8.3	3.5	41.00	101.5	+0.35	3.15	1.75	5.3	91.00	191.0	3.0	31.0	361.0
100	3.00	-0.08	105.5	+1.30 -0.54	9.2	8.4	3.5	42.00	103.5	+0.35	3.15	1.75	5.3	93.00	188.0	3.0	30.8	359.0
102	4.00	-0.10	108.0	+1.30 -0.54	9.5	8.5	3.5	55.00	106.0	+0.54	4.15	2.00	6.0	108.00	439.0	3.0	72.6	846.0
105	4.00	-0.10	112.0	+1.30 -0.54	9.5	8.7	3.5	56.00	109.0	+0.54	4.15	2.00	6.0	112.00	436.0	3.0	73.0	850.0
107	4.00	-0.10	115.0	+1.30 -0.54	9.5	8.9	3.5	60.00	111.0	+0.54	4.15	2.00	6.0	114.00	425.0	3.0	71.6	834.0
108	4.00	-0.10	115.0	+1.30 -0.54	9.5	8.9	3.5	60.00	112.0	+0.54	4.15	2.00	6.0	115.00	419.0	3.0	71.0	825.0
110	4.00	-0.10	117.0	+1.30 -0.54	10.4	9.0	3.5	64.50	114.0	+0.54	4.15	2.00	6.0	117.00	415.0	3.0	71.0	824.0
112	4.00	-0.10	119.0	+1.30 -0.54	10.5	9.1	3.5	72.00	116.0	+0.54	4.15	2.00	6.0	119.00	418.0	3.0	72.0	837.0
115	4.00	-0.10	122.0	+1.50 -0.63	10.5	9.3	3.5	74.50	119.0	+0.54	4.15	2.00	6.0	122.00	409.0	3.0	71.2	829.0
117	4.00	-0.10	125.0	+1.50 -0.63	10.7	9.6	3.5	75.50	121.0	+0.63	4.15	2.00	6.0	124.00	399.0	3.0	70.0	814.0
118	4.00	-0.10	125.0	+1.50 -0.63	10.7	9.6	3.5	75.50	122.0	+0.63	4.15	2.00	6.0	125.00	394.0	3.0	69.3	807.0
120	4.00	-0.10	127.0	+1.50 -0.63	11.0	9.7	3.5	77.00	124.0	+0.63	4.15	2.00	6.0	127.00	396.0	3.0	70.0	818.0
122	4.00	-0.10	129.0	+1.50 -0.63	11.0	9.8	4.0	78.00	126.0	+0.63	4.15	2.00	6.0	129.00	399.0	3.0	71.0	829.0
125	4.00	-0.10	132.0	+1.50 -0.63	11.0	10.0	4.0	79.00	129.0	+0.63	4.15	2.00	6.0	132.00	385.0	3.0	70.0	809.0
127	4.00	-0.10	135.0	+1.50 -0.63	11.0	10.0	4.0	81.00	131.0	+0.63	4.15	2.00	6.0	135.00	383.0	3.0	70.0	808.0
128	4.00	-0.10	135.0	+1.50 -0.63	11.0	10.2	4.0	81.00	132.0	+0.63	4.15	2.00	6.0	136.00	378.0	3.0	69.0	802.0
130	4.00	-0.10	137.0	+1.50 -0.63	11.0	10.2	4.0	82.00	134.0	+0.63	4.15	2.00	6.0	138.00	374.0	3.0	69.0	801.0
132	4.00	-0.10	139.0	+1.50 -0.63	11.0	10.3	4.0	83.00	136.0	+0.63	4.15	2.00	6.0	140.00	366.0	3.0	68.0	789.0
135	4.00	-0.10	142.0	+1.50 -0.63	11.2	10.5	4.0	84.00	139.0	+0.63	4.15	2.00	6.0	143.00	358.0	3.0	67.0	781.0
137	4.00	-0.10	145.0	+1.50 -0.63	11.2	10.6	4.0	86.00	141.0	+0.63	4.15	2.00	6.0	145.00	356.0	3.0	67.0	780.0
138	4.00	-0.10	145.0	+1.50 -0.63	11.2	10.6	4.0	86.00	142.0	+0.63	4.15	2.00	6.0	146.00	352.0	3.0	66.5	775.0
140	4.00	-0.10	147.0	+1.50 -0.63	11.2	10.7	4.0	87.50	144.0	+0.63	4.15	2.00	6.0	148.00	350.0	3.0	66.5	775.0
142	4.00	-0.10	149.0	+1.50 -0.63	11.3	10.8	4.0	89.00	146.0	+0.63	4.15	2.00	6.0	150.00	342.0	3.0	65.5	764.0
145	4.00	-0.10	152.0	+1.50 -0.63	11.4	10.9	4.0	93.00	149.0	+0.63	4.15							

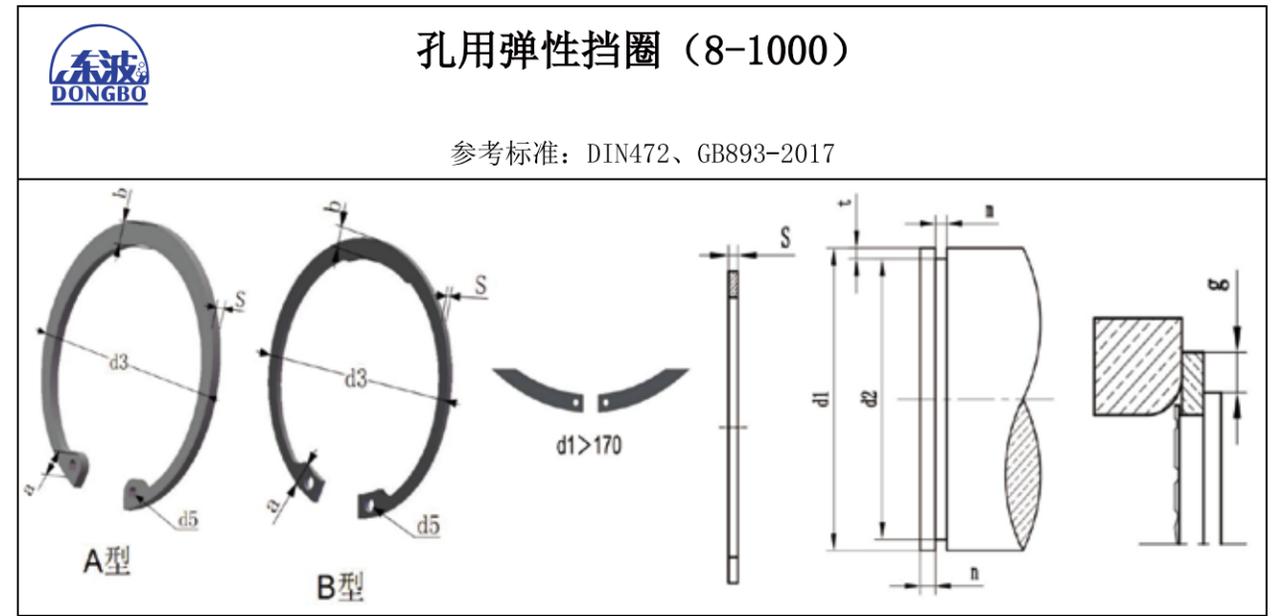


孔用弹性挡圈 (8-1000)

参考标准: DIN472、GB893-2017

d1:规格/公称尺寸;S:厚度; d3: 外径; a: 头高; ≈b: 肩宽; d5: 小孔;Wt: 重量; FN: 沟槽承载力; FR: 挡圈承载力(直角); g: 倒角尺寸; FRg: 挡圈承载力(倒角);

d1	S	Tol	d3	Tol	a Max	≈b	d5 Min	Wt (g)	d2	Tol	m	t	n	FN (KN)	FR (KN)	g	FRg (KN)	K N·mm
150	4.00	-0.10	158.0	+1.50 -0.63	12.0	11.2	4.0	105.00	155.0	+0.63	4.15	2.50	7.5	191.00	326.0	3.0	64.0	748.0
152	4.00	-0.10	161.0	+1.50 -0.63	12.0	11.3	4.0	106.00	157.0	+0.63	4.15	2.50	7.5	202.00	326.0	3.5	55.0	747.0
155	4.00	-0.10	164.0	+1.50 -0.63	12.0	11.4	4.0	107.00	160.0	+0.63	4.15	2.50	7.5	206.00	324.0	3.5	55.0	743.0
157	4.00	-0.10	167.0	+1.50 -0.63	12.3	11.5	4.0	109.00	162.0	+0.63	4.15	2.50	7.5	208.00	328.0	3.5	55.5	752.0
158	4.00	-0.10	167.0	+1.50 -0.63	12.3	11.5	4.0	109.00	163.0	+0.63	4.15	2.50	7.5	210.00	326.0	3.5	55.0	747.0
160	4.00	-0.10	169.0	+1.50 -0.63	13.0	11.6	4.0	110.00	165.0	+0.63	4.15	2.50	7.5	212.00	321.0	3.5	54.5	737.0
162	4.00	-0.10	171.5	+1.50 -0.63	13.0	11.7	4.0	118.00	167.0	+0.63	4.15	2.50	7.5	215.00	321.0	3.5	54.5	736.0
165	4.00	-0.10	174.5	+1.50 -0.63	13.0	11.8	4.0	125.00	170.0	+0.63	4.15	2.50	7.5	219.00	319.0	3.5	54.0	732.0
167	4.00	-0.10	177.5	+1.50 -0.63	13.5	12.1	4.0	135.00	172.0	+0.63	4.15	2.50	7.5	221.00	355.0	3.5	60.0	814.0
168	4.00	-0.10	177.5	+1.50 -0.63	13.5	12.1	4.0	135.00	173.0	+0.63	4.15	2.50	7.5	223.00	353.0	3.5	60.0	810.0
170	4.00	-0.10	179.5	+1.50 -0.63	13.5	12.2	4.0	140.00	175.0	+0.63	4.15	2.50	7.5	225.00	349.0	3.5	59.0	800.0
172	4.00	-0.10	181.5	+1.70 -0.72	13.5	12.5	4.0	145.00	177.0	+0.63	4.15	2.50	7.5	228.00	357.0	3.5	60.0	818.0
175	4.00	-0.10	184.5	+1.70 -0.72	13.5	12.7	4.0	150.00	180.0	+0.63	4.15	2.50	7.5	232.00	351.0	3.5	59.0	804.0
177	4.00	-0.10	187.5	+1.70 -0.72	14.2	12.9	4.0	162.00	182.0	+0.72	4.15	2.50	7.5	235.00	346.0	3.5	58.5	794.0
178	4.00	-0.10	187.5	+1.70 -0.72	14.2	12.9	4.0	162.00	183.0	+0.72	4.15	2.50	7.5	236.00	344.0	3.5	58.0	789.0
180	4.00	-0.10	189.5	+1.70 -0.72	14.2	13.2	4.0	165.00	185.0	+0.72	4.15	2.50	7.5	238.00	347.0	3.5	58.5	796.0
182	4.00	-0.10	191.5	+1.70 -0.72	14.2	13.5	4.0	168.00	187.0	+0.72	4.15	2.50	7.5	241.00	355.0	3.5	60.0	814.0
185	4.00	-0.10	194.5	+1.70 -0.72	14.2	13.7	4.0	170.00	190.0	+0.72	4.15	2.50	7.5	245.00	349.0	3.5	59.0	800.0
187	4.00	-0.10	197.5	+1.70 -0.72	14.2	13.8	4.0	174.00	192.0	+0.72	4.15	2.50	7.5	248.00	345.0	3.5	58.5	792.0
188	4.00	-0.10	197.5	+1.70 -0.72	14.2	13.8	4.0	174.00	193.0	+0.72	4.15	2.50	7.5	249.00	343.0	3.5	58.0	786.0
190	4.00	-0.10	199.5	+1.70 -0.72	14.2	13.8	4.0	175.00	195.0	+0.72	4.15	2.50	7.5	251.00	340.0	3.5	57.5	779.0
192	4.00	-0.10	201.5	+1.70 -0.72	14.2	13.8	4.0	178.00	197.0	+0.72	4.15	2.50	7.5	254.00	336.0	3.5	57.0	770.0
195	4.00	-0.10	204.5	+1.70 -0.72	14.2	13.8	4.0	183.00	200.0	+0.72	4.15	2.50	7.5	258.00	330.0	3.5	55.5	756.0
197	4.00	-0.10	207.5	+1.70 -0.72	14.2	14.0	4.0	190.00	202.0	+0.72	4.15	2.50	7.5	260.00	330.0	3.5	55.5	756.0
198	4.00	-0.10	207.5	+1.70 -0.72	14.2	14.0	4.0	190.00	203.0	+0.72	4.15	2.50	7.5	262.00	329.0	3.5	55.5	754.0
200	4.00	-0.10	209.5	+1.70 -0.72	14.2	14.0	4.0	195.00	205.0	+0.72	4.15	2.50	7.5	265.00	325.0	3.5	55.0	745.0
202	5.00	-0.12	214.0	+1.70 -0.72	14.2	14.0	4.0	210.00	208.0	+0.72	5.15	3.00	9.0	321.00	625.0	4.0	92.5	1432.0
205	5.00	-0.12	217.0	+1.70 -0.72	14.2	14.0	4.0	225.00	211.0	+0.72	5.15	3.00	9.0	326.00	616.0	4.0	91.5	1411.0
207	5.00	-0.12	217.0	+1.70 -0.72	14.2	14.0	4.0	225.00	213.0	+0.72	5.15	3.00	9.0	329.00	610.0	4.0	90.0	1399.0
208	5.00	-0.12	222.0	+1.70 -0.72	14.2	14.0	4.0	270.00	214.0	+0.72	5.15	3.00	9.0	331.00	607.0	4.0	90.0	1392.0
210	5.00	-0.12	222.0	+1.70 -0.72	14.2	14.0	4.0	270.00	216.0	+0.72	5.15	3.00	9.0	333.00	601.0	4.0	89.5	1378.0
212	5.00	-0.12	222.0	+1.70 -0.72	14.2	14.0	4.0	270.00	218.0	+0.72	5.15	3.00	9.0	337.00	596.0	4.0	88.5	1367.0
215	5.00	-0.12	227.0	+1.70 -0.72	14.2	14.0	4.0	300.00	221.0	+0.72	5.15	3.00	9.0	341.00	586.0	4.0	87.0	1343.0

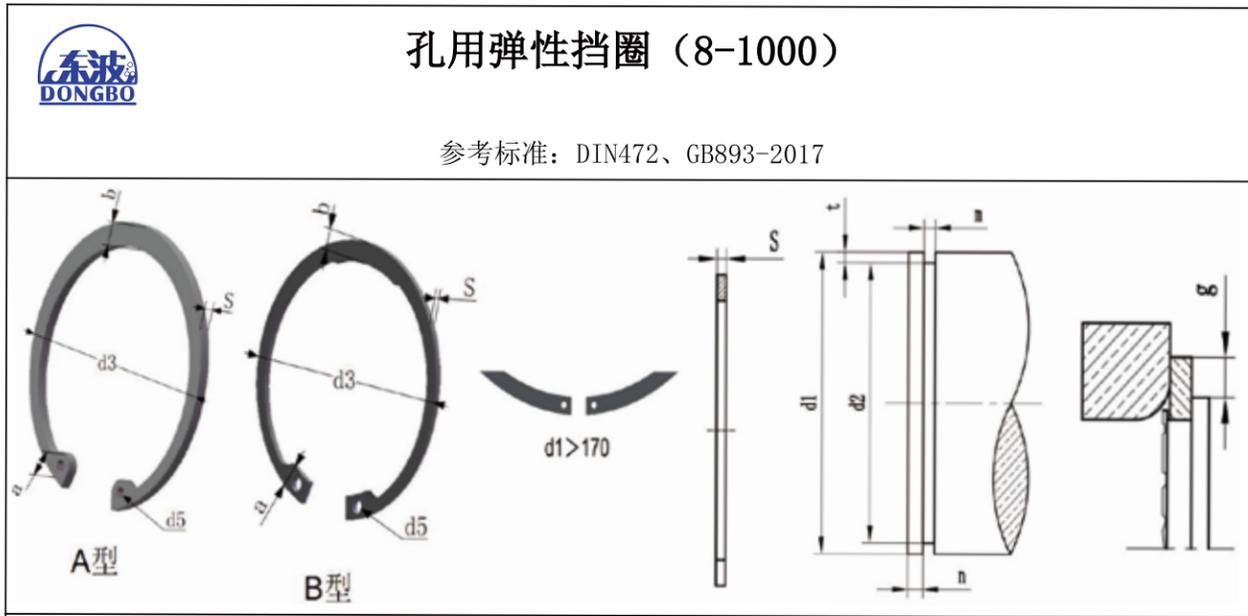


孔用弹性挡圈 (8-1000)

参考标准: DIN472、GB893-2017

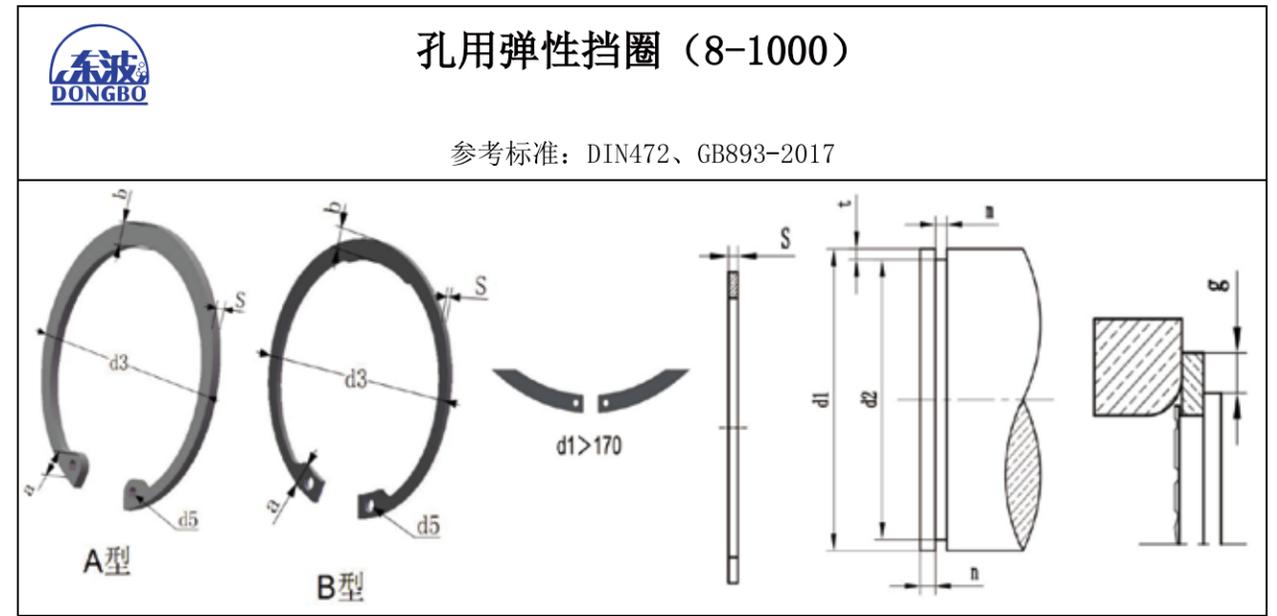
d1:规格/公称尺寸;S:厚度; d3: 外径; a: 头高; ≈b: 肩宽; d5: 小孔;Wt: 重量; FN: 沟槽承载力; FR: 挡圈承载力(直角); g: 倒角尺寸; FRg: 挡圈承载力(倒角);

d1	S	Tol	d3	Tol	a Max	≈b	d5 Min	Wt (g)	d2	Tol	m	t	n	FN (KN)	FR (KN)	g	FRg (KN)	K N·mm
217	5.00	-0.12	227.0	+1.70 -0.72	14.2	14.0	4.0	300.00	223.0	+0.72	5.15	3.00	9.0	345.00	581.0	4.0	86.0	1331.0
218	5.00	-0.12	232.0	+1.70 -0.72	14.2	14.0	4.0	315.00	224.0	+0.72	5.15	3.00	9.0	346.00	580.0	4.0	86.0	1329.0
220	5.00	-0.12	232.0	+1.70 -0.72	14.2	14.0	4.0	315.00	226.0	+0.72	5.15	3.00	9.0	349.00	574.0	4.0	85.0	1316.0
222	5.00	-0.12	232.0	+1.70 -0.72	14.2	14.0	4.0	315.00	228.0	+0.72	5.15	3.00	9.0	353.00	568.0	4.0	84.0	1303.0
225	5.00	-0.12	237.0	+1.70 -0.72	14.2	14.0	4.0	323.00	231.0	+0.72	5.15	3.00	9.0	357.00	560.0	4.0	83.0	1283.0
227	5.00	-0.12	237.0	+1.70 -0.72	14.2	14.0	4.0	323.00	233.0	+0.72	5.15	3.00	9.0	361.00	555.0	4.0	82.0	1271.0
228	5.00	-0.12	242.0	+1.70 -0.72	14.2	14.0	4.0	330.00	234.0	+0.72	5.15	3.00	9.0	362.00	554.0	4.0	82.0	1268.0
230	5.00	-0.12	242.0	+1.70 -0.72	14.2	14.0	4.0	330.00	236.0	+0.72	5.15	3.00	9.0	365.00	549.0	4.0	81.0	1259.0
232	5.00	-0.12	242.0	+2.00 -0.81	14.2	14.0	4.0	330.00	238.0	+0.72	5.15	3.00	9.0	369.00	544.0	4.0	80.5	1246.0
235	5.00	-0.12	247.0	+2.00 -0.81	14.2	14.0	4.0	338.00	241.0	+0.72	5.15	3.00	9.0	373.00	536.0	4.0	79.5	1229.0
237	5.00	-0.12	247.0	+2.00 -0.81	14.2	14.0	4.0	338.00	243.0	+0.72	5.15	3.00	9.0	376.00	531.0	4.0	79.0	1217.0
238	5.00	-0.12	252.0	+2.00 -0.81	14.2	14.0	4.0	345.00	244.0	+0.72	5.15	3.00	9.0	378.00	530.0	4.0	79.0	1214.0
240	5.00	-0.12	252.0	+2.00 -0.81	14.2	14.0	4.0	345.00	246.0	+0.72	5.15	3.00	9.0	380.00	525.0	4.0	77.5	1204.0
242	5.00	-0.12	252.0	+2.00 -0.81	14.2	14.0	4.0	345.00	248.0	+0.81	5.15	3.00	9.0	385.00	521.0	4.0	77.0	1194.0
245	5.00	-0.12	257.0	+2.00 -0.81	14.2	14.0	4.0	353.00	251.0	+0.81	5.15	3.00	9.0	389.00	514.0	4.0	76.5	1178.0
247	5.00	-0.12	257.0	+2.00 -0.81	14.2	14.0	4.0	353.00	253.0	+0.81	5.15	3.00	9.0	392.00	509.0	4.0	76.0	1167.0
248	5.00	-0.12	262.0	+2.00 -0.81	14.2	14.0	4.0	360.00	254.0	+0.81	5.15	3.00	9.0	394.00	507.0	4.0	75.5	1163.0
250	5.00	-0.12	262.0	+2.00 -0.81	14.2	14.0	4.0	360.00	256.0	+0.81	5.15	3.00	9.0	396.00	504.0	4.0	75.0	1155.0
252	5.00	-0.12	262.0	+2.00 -0.81	14.2	16.0	5.0	360.00	260.0	+0.81	5.15	4.00	12.0	535.00	557.0	4.0	83.0	1277.0
255	5.00	-0.12	270.0	+2.00 -0.81	16.2	16.0	5.0	368.00	263.0	+0.81	5.15	4.00	12.0	541.00	549.0	4.0	81.5	1259.0
257	5.00	-0.12	270.0	+2.00 -0.81	16.2	16.0	5.0	368.00	265.0	+0.81	5.15	4.00	12.0	546.00	545.0	4.0	81.0	1249.0
258	5.00	-0.12	275.0	+2.00 -0.81	16.2	16.0	5.0	375.00	266.0	+0.81	5.15	4.00	12.0	548.00	543.0	4.0	80.5	1244.0
260	5.00	-0.12	275.0	+2.00 -0.81	16.2	16.0	5.0	375.00	268.0	+0.81	5.15	4.00	12.0	553.00	538.0	4.0	80.0	1234.0
262	5.00	-0.12	275.0	+2.00 -0.81	16.2	16.0	5.0	375.00	270.0	+0.81	5.15	4.00	12.0	556.00	535.0	4.0	79.0	1227.0
265	5.00	-0.12	280.0	+2.00 -0.81	16.2	16.0	5.0	383.00	273.0	+0.81	5.15	4.00	12.0	563.00	528.0	4.0	78.5	1210.0
267	5.00	-0.12	280.0	+2.00 -0.81	16.2	16.0	5.0	383.00	275.0	+0.81	5.15	4.00	12.0	566.00	524.0	4.0	78.0	1201.0
268	5.00	-0.12	285.0	+2.00 -0.81	16.2	16.0	5.0	388.00	276.0	+0.81	5.15	4.00	12.0	570.00	522.0	4.0	7	



d1:规格/公称尺寸;S:厚度; d3: 外径; a: 头高; ≈b: 肩宽; d5: 小孔; Wt: 重量; FN: 沟槽承载力; FR: 挡圈承载力(直角); g: 倒角尺寸; FRg: 挡圈承载力(倒角);

d1	S	Tol	d3	Tol	a Max	≈b	d5 Min	Wt(g)	d2	Tol	m	t	n	FN (KN)	FR (KN)	g	FRg (KN)	K N·mm
282	5.00	-0.12	295.0	+2.00 -0.81	16.2	16.0	5.0	400.00	290.0	+0.81	5.15	4.00	12.0	599.00	497.0	4.0	74.0	1138.0
285	5.00	-0.12	300.0	+2.00 -0.81	16.2	16.0	5.0	408.00	293.0	+0.81	5.15	4.00	12.0	605.00	491.0	4.0	73.0	1124.0
287	5.00	-0.12	300.0	+2.00 -0.81	16.2	16.0	5.0	408.00	295.0	+0.81	5.15	4.00	12.0	610.00	487.0	4.0	72.0	1117.0
288	5.00	-0.12	305.0	+2.00 -0.81	16.2	16.0	5.0	415.00	296.0	+0.81	5.15	4.00	12.0	611.00	485.0	4.0	72.0	1111.0
290	5.00	-0.12	305.0	+2.00 -0.81	16.2	16.0	5.0	415.00	298.0	+0.81	5.15	4.00	12.0	615.00	482.0	4.0	71.5	1104.0
292	5.00	-0.12	305.0	+2.00 -0.81	16.2	16.0	5.0	415.00	300.0	+0.81	5.15	4.00	12.0	620.00	479.0	4.0	71.0	1098.0
295	5.00	-0.12	310.0	+2.00 -0.81	16.2	16.0	5.0	426.00	303.0	+0.81	5.15	4.00	12.0	625.00	474.0	4.0	70.5	1087.0
297	5.00	-0.12	310.0	+2.00 -0.81	16.2	16.0	5.0	426.00	305.0	+0.81	5.15	4.00	12.0	630.00	471.0	4.0	70.5	1079.0
298	5.00	-0.12	315.0	+2.00 -0.81	16.2	16.0	5.0	435.00	306.0	+0.81	5.15	4.00	12.0	631.00	469.0	4.0	69.5	1075.0
300	5.00	-0.12	315.0	+2.00 -0.81	16.2	16.0	5.0	435.00	308.0	+0.81	5.15	4.00	12.0	636.00	466.0	4.0	69.0	1068.0
305	6.00	-0.15	322.0	+2.00 -0.90		16(20)	6.0	755.00	315.0	+0.81	6.20	5.00	15.0	810.00	961.0	5.0	114.0	2202.0
310	6.00	-0.15	327.0	+2.00 -0.90		16(20)	6.0	770.00	320.0	+0.89	6.20	5.00	15.0	823.00	947.0	5.0	113.0	2169.0
315	6.00	-0.15	332.0	+2.00 -0.90		16(20)	6.0	785.00	325.0	+0.89	6.20	5.00	15.0	837.00	934.0	5.0	111.0	2140.0
320	6.00	-0.15	337.0	+2.00 -0.90		16(20)	6.0	800.00	330.0	+0.89	6.20	5.00	15.0	850.00	919.0	5.0	109.0	2105.0
325	6.00	-0.15	342.0	+2.00 -0.90		16(20)	6.0	810.00	335.0	+0.89	6.20	5.00	15.0	864.00	906.0	5.0	108.0	2076.0
330	6.00	-0.15	347.0	+2.00 -0.90		16(20)	6.0	820.00	340.0	+0.89	6.20	5.00	15.0	876.00	894.0	5.0	106.0	2048.0
335	6.00	-0.15	352.0	+2.00 -0.90		16(20)	6.0	830.00	345.0	+0.89	6.20	5.00	15.0	890.00	880.0	5.0	105.0	2017.0
340	6.00	-0.15	357.0	+2.00 -0.90		16(20)	6.0	840.00	350.0	+0.89	6.20	5.00	15.0	903.00	869.0	5.0	104.0	1991.0
345	6.00	-0.15	362.0	+2.00 -0.90		16(20)	6.0	855.00	355.0	+0.89	6.20	5.00	15.0	916.00	857.0	5.0	102.0	1964.0
350	6.00	-0.15	367.0	+2.00 -0.90		16(20)	6.0	870.00	360.0	+0.89	6.20	5.00	15.0	929.00	846.0	5.0	101.0	1938.0
355	6.00	-0.15	372.0	+2.00 -0.90		16(20)	6.0	880.00	365.0	+0.89	6.20	5.00	15.0	942.00	834.0	5.0	99.0	1910.0
360	6.00	-0.15	377.0	+2.00 -0.90		16(20)	6.0	890.00	370.0	+0.89	6.20	5.00	15.0	955.00	823.0	5.0	98.0	1886.0
365	6.00	-0.15	382.0	+2.00 -0.90		16(20)	6.0	906.00	375.0	+0.89	6.20	5.00	15.0	968.00	813.0	5.0	97.0	1862.0
370	6.00	-0.15	387.0	+2.00 -0.90		16(20)	6.0	920.00	380.0	+0.89	6.20	5.00	15.0	981.00	803.0	5.0	95.0	1839.0
375	6.00	-0.15	392.0	+2.00 -0.90		16(20)	6.0	932.00	385.0	+0.89	6.20	5.00	15.0	994.00	793.0	5.0	94.0	1817.0
380	6.00	-0.15	397.0	+2.00 -0.90		16(20)	6.0	940.00	390.0	+0.89	6.20	5.00	15.0	1008.00	784.0	5.0	93.0	1796.0
385	6.00	-0.15	402.0	+2.00 -1.00		16(20)	6.0	950.00	395.0	+0.89	6.20	5.00	15.0	1021.00	774.0	5.0	92.0	1774.0
390	6.00	-0.15	407.0	+2.00 -1.00		16(20)	6.0	960.00	400.0	+0.89	6.20	5.00	15.0	1033.00	764.0	5.0	91.0	1751.0
395	6.00	-0.15	412.0	+2.00 -1.00		16(20)	6.0	972.00	405.0	+1.00	6.20	5.00	15.0	1047.00	756.0	5.0	90.0	1732.0
400	6.00	-0.15	417.0	+2.00 -1.00		16(20)	6.0	980.00	410.0	+1.00	6.20	5.00	15.0	1060.00	746.0	5.0	89.0	1710.0
410	7.00	-0.15	430.0	+2.00 -1.00		23(26)	6.0	1380.00	422.0	+1.00	7.20	6.00	18.0	1307.00	1512.0	6.0	150.0	3463.0
420	7.00	-0.15	440.0	+2.00 -1.00		23(26)	6.0	1410.00	432.0	+1.00	7.20	6.00	18.0	1338.00	1480.0	6.0	147.0	3391.0
430	7.00	-0.15	450.0	+2.00 -1.00		23(26)	6.0	1440.00	442.0	+1.00	7.20	6.00	18.0	1369.00	1446.0	6.0	144.0	3312.0

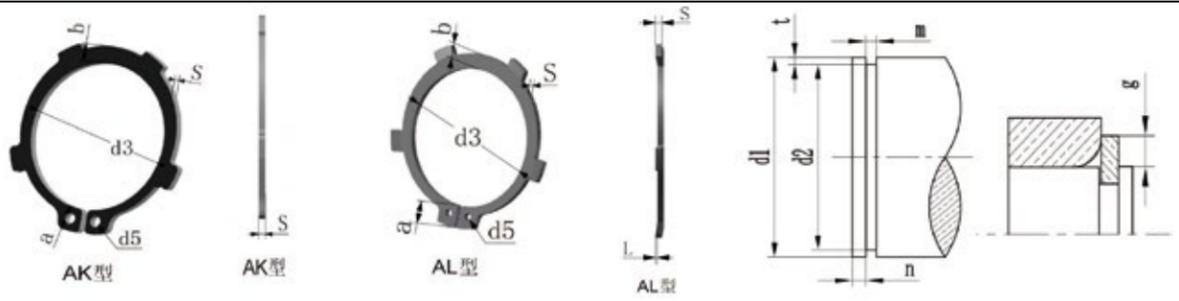


d1:规格/公称尺寸;S:厚度; d3: 外径; a: 头高; ≈b: 肩宽; d5: 小孔; Wt: 重量; FN: 沟槽承载力; FR: 挡圈承载力(直角); g: 倒角尺寸; FRg: 挡圈承载力(倒角);

d1	S	Tol	d3	Tol	a Max	≈b	d5 Min	Wt(g)	d2	Tol	m	t	n	FN (KN)	FR (KN)	g	FRg (KN)	K N·mm
440	7.00	-0.15	460.0	+2.00 -1.00		23(26)	6.0	1470.00	452.0	+1.00	7.20	6.00	18.0	1401.00	1418.0	6.0	141.0	3248.0
450	7.00	-0.15	470.0	+2.00 -1.00		23(26)	6.0	1510.00	462.0	+1.00	7.20	6.00	18.0	1431.00	1388.0	6.0	138.0	3180.0
460	7.00	-0.15	480.0	+2.00 -1.00		23(26)	6.0	1550.00	472.0	+1.00	7.20	6.00	18.0	1464.00	1360.0	6.0	135.0	3116.0
470	7.00	-0.15	490.0	+2.00 -1.00		23(26)	6.0	1595.00	482.0	+1.00	7.20	6.00	18.0	1495.00	1330.0	6.0	132.0	3048.0
480	7.00	-0.15	500.0	+2.00 -1.00		23(26)	6.0	1640.00	492.0	+1.00	7.20	6.00	18.0	1526.00	1306.0	6.0	130.0	2991.0
490	7.00	-0.15	510.0	+3.00 -1.50		23(26)	6.0	1685.00	502.0	+1.00	7.20	6.00	18.0	1558.00	1280.0	6.0	127.0	2931.0
500	7.00	-0.15	520.0	+3.00 -1.50		23(26)	6.0	1730.00	512.0	+1.00	7.20	6.00	18.0	1588.00	1256.0	6.0	125.0	2878.0
510	8.00	-0.15	535.0	+3.00 -1.50		23(26)	6.0	2250.00	524.0	+1.00	8.20	7.00	21.0	1894.00	1834.0	7.0	156.0	4201.0
520	8.00	-0.15	545.0	+3.00 -1.50		23(26)	6.0	2290.00	534.0	+1.00	8.20	7.00	21.0	1931.00	1802.0	7.0	153.0	4128.0
530	8.00	-0.15	555.0	+3.00 -1.50		23(26)	6.0	2335.00	544.0	+1.00	8.20	7.00	21.0	1968.00	1768.0	7.0	150.0	4049.0
540	8.00	-0.15	565.0	+3.00 -1.50		23(26)	6.0	2380.00	554.0	+1.00	8.20	7.00	21.0	2004.00	1738.0	7.0	148.0	3981.0
550	8.00	-0.15	575.0	+3.00 -1.50		23(26)	6.0	2430.00	564.0	+1.00	8.20	7.00	21.0	2041.00	1711.0	7.0	145.0	3919.0
560	8.00	-0.15	585.0	+3.00 -1.50		23(26)	6.0	2495.00	574.0	+1.00	8.20	7.00	21.0	2078.00	1682.0	7.0	143.0	3852.0
570	8.00	-0.15	595.0	+3.00 -1.50		23(26)	6.0	2560.00	584.0	+1.00	8.20	7.00	21.0	2114.00	1650.0	7.0	141.0	3790.0
580	8.00	-0.15	605.0	+3.00 -1.50		23(26)	6.0	2625.00	594.0	+1.00	8.20	7.00	21.0	2151.00	1627.0	7.0	138.0	3728.0
590	8.00	-0.15	615.0	+3.00 -1.50		23(26)	6.0	2700.00	604.0	+1.00	8.20	7.00	21.0	2188.00	1601.0	7.0	136.0	3668.0
600	8.00	-0.15	625.0	+3.00 -1.50		23(26)	6.0	2770.00	614.0	+1.00	8.20	7.00	21.0	2221.00	1571.0	7.0	134.0	3598.0
650	9.00	-0.20	680.0	+3.00 -1.50		23(34)	6.0	3600.00	666.0	+1.00	9.30	8.00	24.0	2753.00	2654.0	7.0	226.0	6078.0
700	9.00	-0.20	730.0	+4.00 -2.00		23(34)	6.0	4120.00	716.0	+1.00	9.30	8.00	24.0	2966.00	2471.0	7.0	210.0	5661.0
750	9.00	-0.20	785.0	+4.00 -2.00		23(34)	9.0	4540.00	768.0	+1.00	9.30	9.00	27.0	3566.00	2310.0	7.0	196.0	5285.0
800	9.00	-0.20	835.0	+4.00 -2.00		23(34)	9.0	5450.00	818.0	+1.00	9.30	9.00	27.0	3800.00	2176.0	7.0	184.0	4980.0
850	9.00	-0.20	890.0	+4.00 -2.00		23(34)	9.0	5990.00	870.0	+1.00	9.30	10.00	30.0	4500.00	2045.0	7.0	173.0	4680.0
900	9.00	-0.20	940.0	+4.00 -2.00		23(34)	9.0	6740.00	920.0	+1.00	9.30	10.00	30.0	4766.00	1938.0	7.0	164.0	4435.0
950	9.00	-0.20	1000.0	+4.00 -2.00		23(34)	9.0	7930.00	972.0	+1.00	9.30	11.00	33.0	5608.00	1840.0	7.0	156.0	4210.0
1000	9.00	-0.20	1050.0	+4.00 -2.00		23(34)	9.0	8880.00	1022.0	+1.00	9.30	11.00	33.0	5825.00	1752.0	7.0	148.0	4010.0

轴用弹性挡圈 (16-100)

参考标准: DIN983



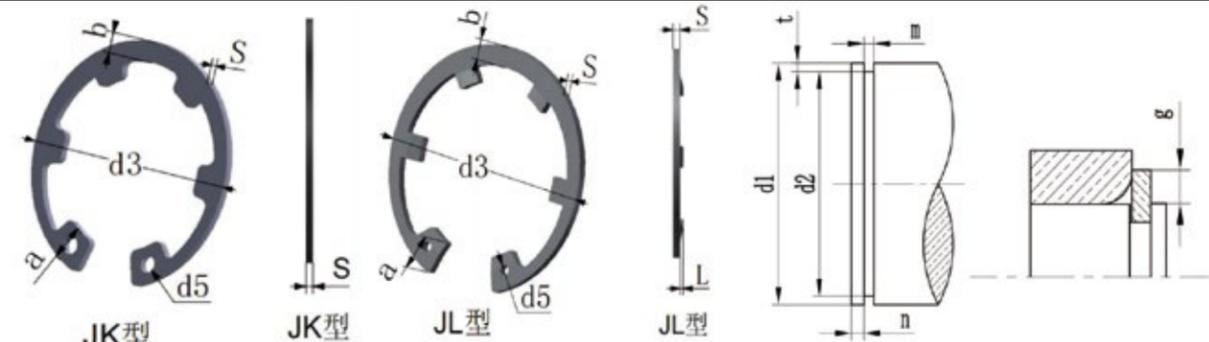
备注: 下表数据为AK型,与AL型有不同,需与制造商确认

d1:规格/公称尺寸; S:厚度; d3:内径; a:头高; ≈b:肩宽; d5:小孔; Wt:重量; FN:沟槽承载力; FR:挡圈承载力(直角); g:倒角尺寸; FRg:挡圈承载力(倒角); FL:轴向弹力; L:补偿间隙; n ab1:极限转速

d1	S	To1	d3	To1	a	≈b	d5	Wt(g)	d2	To1	m	n	FN (KN)	FR (KN)	g	FRg (KN)	FL	n ab1 x1000	L
16	1	-0.06	14.7	+0.10 -0.36	3.5	2.3	1.7	0.82	15.2	-0.11	0.70	1.2	3.26	7.4	1.0	2.4	0.13	45	0.35
17	1	-0.06	15.7	+0.10 -0.36	3.6	2.4	1.7	0.93	16.2	-0.11	0.70	1.2	3.46	8.0	1.0	2.4	0.12	41	0.35
18	1.2	-0.06	16.5	+0.10 -0.36	3.7	2.5	2.0	1.24	17.0	-0.11	0.90	1.5	4.58	17.0	1.5	3.7	0.25	38	0.35
19	1.2	-0.06	17.5	+0.10 -0.36	3.7	2.6	2.0	1.35	18.0	-0.11	0.90	1.5	4.85	17.0	1.5	3.8	0.24	33	0.35
20	1.20	-0.06	18.5	+0.13 -0.42	3.8	2.6	2.0	1.45	19.0	-0.15	1.30	1.5	5.06	17.1	1.5	3.8	0.77	30	0.35
22	1.20	-0.06	20.5	+0.13 -0.42	4.0	2.8	2.0	1.77	21.0	-0.15	1.30	1.5	5.65	16.9	1.5	3.8	0.68	26	0.35
23	1.20	-0.06	21.5	+0.13 -0.42	4.1	2.9	2.0	1.84	22.0	-0.15	1.30	1.5	5.90	16.6	1.5	3.8	0.65	24	0.35
24	1.20	-0.06	22.2	+0.21 -0.42	4.2	3.0	2.0	1.98	22.9	-0.21	1.30	1.6	6.75	16.1	1.5	3.6	0.70	26	0.40
25	1.20	-0.06	23.2	+0.21 -0.42	4.3	3.0	2.0	2.12	23.9	-0.21	1.30	1.6	7.05	16.2	1.5	3.7	0.66	24	0.40
26	1.20	-0.06	24.2	+0.21 -0.42	4.4	3.1	2.0	2.18	24.9	-0.21	1.30	1.6	7.34	16.1	1.5	3.7	0.62	22	0.40
28	1.50	-0.06	25.9	+0.21 -0.42	4.5	3.3	2.0	3.15	26.6	-0.21	1.60	2.1	10.00	32.1	1.5	7.5	0.99	20	0.40
29	1.50	-0.06	26.9	+0.21 -0.42	4.7	3.4	2.0	3.35	27.6	-0.21	1.60	2.1	10.30	31.8	1.5	7.4	0.91	19	0.40
30	1.50	-0.06	27.9	+0.21 -0.42	4.7	3.4	2.0	3.65	28.6	-0.21	1.60	2.1	10.70	32.1	1.5	7.6	0.90	18	0.40
32	1.50	-0.06	29.6	+0.21 -0.42	5.0	3.6	2.5	4.00	30.3	-0.25	1.60	2.5	13.85	31.2	2.0	5.5	0.90	16	0.45
34	1.50	-0.06	31.5	+0.21 -0.42	5.1	3.8	2.5	4.15	32.3	-0.25	1.60	2.5	14.72	31.3	2.0	5.6	0.86	16	0.45
35	1.50	-0.06	32.2	+0.25 -0.50	5.2	3.8	2.5	4.38	33.0	-0.25	1.60	3.0	17.80	30.8	2.0	5.5	0.93	15	0.50
37	1.75	-0.06	34.2	+0.25 -0.50	5.4	4.0	2.5	6.30	35.0	-0.25	1.60	3.0	18.80	50.0	2.0	9.1	0.83	13	0.50
38	1.75	-0.06	35.2	+0.25 -0.50	5.5	4.1	2.5	6.50	36.0	-0.25	1.85	3.0	19.30	49.5	2.0	9.1	1.30	13	0.50
40	1.75	-0.06	36.5	+0.39 -0.90	7.2	4.2	2.5	7.00	37.5	-0.25	1.85	3.8	25.30	51.0	2.0	9.5	1.00	14	0.60
42	1.75	-0.06	38.5	+0.39 -0.90	7.2	4.5	2.5	7.50	39.5	-0.25	1.85	3.8	26.70	50.0	2.0	9.4	0.95	13	0.60
45	1.75	-0.06	41.5	+0.39 -0.90	7.2	4.6	2.5	8.50	42.5	-0.25	1.85	3.8	28.60	49.0	2.0	9.3	0.92	11	0.60
47	1.75	-0.06	43.5	+0.39 -0.90	7.2	4.8	2.5	8.70	44.5	-0.25	1.85	3.8	30.00	49.5	2.0	9.5	0.92	10	0.60
48	1.75	-0.06	44.5	+0.39 -0.90	7.2	4.9	2.5	8.90	45.5	-0.25	1.85	3.8	30.70	49.4	2.0	9.5	0.92	9	0.60
50	2.00	-0.07	45.8	+0.39 -0.90	8.2	5.0	2.5	11.50	47.0	-0.25	2.15	4.5	38.00	73.3	2.0	14.4	1.33	10	0.80
55	2.00	-0.07	50.8	+0.46 -1.10	8.2	5.4	2.5	12.99	52.0	-0.30	2.15	4.5	42.00	71.4	2.5	11.4	1.32	8	0.80
57	2.00	-0.07	52.8	+0.46 -1.10	8.2	5.6	2.5	14.00	54.0	-0.30	2.15	4.5	43.70	70.9	2.5	11.4	1.30	8	0.80
58	2.00	-0.07	53.8	+0.46 -1.10	8.2	5.7	2.5	14.30	55.0	-0.30	2.15	4.5	44.30	71.1	2.5	11.5	1.30	8	0.80
60	2.00	-0.07	55.8	+0.46 -1.10	8.2	5.8	2.5	14.80	57.0	-0.30	2.15	4.5	46.00	69.3	2.5	11.3	1.28	7	0.80
62	2.00	-0.07	57.8	+0.46 -1.10	8.2	5.9	2.5	15.90	59.0	-0.30	2.15	4.5	47.50	69.3	2.5	11.4	1.28	7	0.80
65	2.50	-0.07	60.8	+0.46 -1.10	10.2	6.2	3.0	21.70	62.0	-0.30	2.65	4.5	49.90	135.0	2.5	22.7	1.96	6	1.00
67	2.50	-0.07	62.5	+0.46 -1.10	10.2	6.4	3.0	22.60	64.0	-0.30	2.65	4.5	51.30	136.0	2.5	23.0	1.96	7	1.00
68	2.50	-0.07	63.5	+0.46 -1.10	10.2	6.5	3.0	23.50	65.0	-0.30	2.65	4.5	52.20	135.0	2.5	23.0	1.95	7	1.00
70	2.50	-0.07	65.5	+0.46 -1.10	10.2	6.6	3.0	25.10	67.0	-0.30	2.65	4.5	53.80	134.0	2.5	23.0	1.93	6	1.00
75	2.50	-0.07	70.5	+0.46 -1.10	10.2	7.0	3.0	28.20	72.0	-0.30	2.65	4.5	57.60	130.0	2.5	22.8	1.88	6	1.00
80	2.50	-0.07	74.5	+0.46 -1.10	10.2	7.4	3.0	30.75	76.5	-0.30	2.65	5.3	71.60	128.0	3.0	19.5	1.89	6	1.00
85	3.00	-0.08	79.5	+0.46 -1.10	10.2	7.8	3.5	39.50	81.5	-0.54	3.15	5.3	76.20	215.0	3.0	33.4	3.24	5	1.00
90	3.00	-0.08	84.5	+0.54 -1.30	10.2	8.2	3.5	47.70	86.5	-0.54	3.15	5.3	80.80	217.0	3.0	33.4	3.21	5	1.00
95	3.00	-0.08	89.5	+0.54 -1.30	10.2	8.6	3.5	53.00	91.5	-0.54	3.15	5.3	85.50	212.0	3.5	29.3	3.21	4	1.00
100	3.00	-0.08	94.5	+0.54 -1.30	10.2	9.0	3.5	56.60	96.5	-0.54	3.15	5.3	90.00	206.0	3.5	29.0	3.18	4	1.00

孔用弹性挡圈 (16-170)

参考标准: DIN984



备注: 下表数据为JK型,与JL型有不同,需与制造商确认

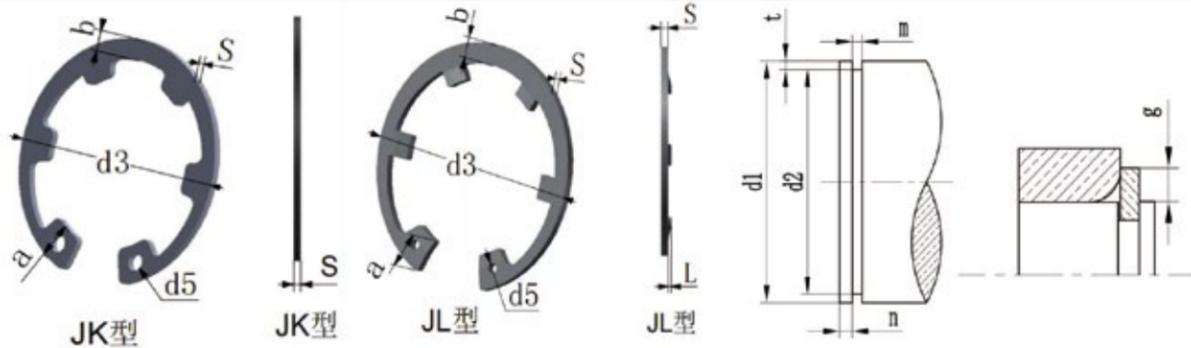
d1:规格/公称尺寸; S:厚度; d3:外径; a:头高; ≈b:肩宽; d5:小孔; Wt:重量; FN:沟槽承载力; FR:挡圈承载力(直角); g:倒角尺寸; FRg:挡圈承载力(倒角); FL:轴向弹力; L:补偿间隙

d1	S	To1	d3	To1	a	≈b	d5	Wt(g)	d2	To1	m	n	FN (KN)	FR (KN)	g	FRg (KN)	FL	L
16	1	-0.06	17.3	+0.42 -0.13	3.4	2.1	1.7	0.72	16.8	+0.11	0.70	1.2	3.40	5.5	1.0	2.5	0.05	0.25
17	1	-0.06	18.3	+0.42 -0.13	3.7	2.2	1.7	0.80	17.8	+0.11	0.70	1.2	3.60	6	1.0	2.5	0.08	0.25
18	1	-0.06	19.5	+0.42 -0.13	4.1	2.3	2.0	0.90	19.0	+0.15	0.90	1.5	4.80	6.5	1.0	2.6	0.14	0.25
19	1	-0.06	20.5	+0.42 -0.13	3.8	2.3	2.0	0.99	20.0	+0.15	0.90	1.5	5.10	6.8	1.0	2.6	0.17	0.25
20	1	-0.06	21.5	+0.42 -0.13	3.9	2.4	2.0	1.06	21.0	+0.15	1.10	1.5	5.40	7.2	1.0	2.6	0.31	0.25
21	1	-0.06	22.5	+0.42 -0.13	4.0	2.4	2.0	1.17	22.0	+0.15	1.10	1.5	5.70	7.6	1.0	2.6	0.30	0.25
22	1	-0.06	23.5	+0.42 -0.13	4.0	2.6	2.0	1.28	23.0	+0.15	1.10	1.5	5.90	8	1.0	2.7	0.46	0.35
23	1.2	-0.06	24.6	+0.42 -0.13	4.1	2.6	2.0	1.48	24.1	+0.15	1.30	1.6	6.80	13.8	1.0	4.5	0.60	0.35
24	1.2	-0.06	25.9	+0.42 -0.21	4.2	2.6	2.0	1.60	25.2	+0.21	1.30	1.8	7.70	13.9	1.0	4.6	0.57	0.35
25	1.2	-0.06	26.9	+0.42 -0.21	4.4	2.8	2.0	1.72	26.2	+0.21	1.30	1.8	8.00	14.6	1.0	4.7	0.53	0.35
26	1.2	-0.06	28.5	+0.42 -0.21	4.4	2.8	2.0	2.00	27.2	+0.21	1.30	1.8	8.40	13.8	1.0	4.6	0.51	0.35
27	1.2	-0.06	29.1	+0.42 -0.21	4.5	2.9	2.0	2.00	28.4	+0.21	1.30	2.1	10.10	13.3	1.0	4.5	0.48	0.35
28	1.2	-0.06	30.1	+0.50 -0.25	4.9	3.0	2.0	2.10	29.4	+0.21	1.30	2.1	10.50	13.3	1.0	4.5	0.40	0.35
30	1.2	-0.06	32.1	+0.50 -0.25	4.9	3.2	2.0	2.35	31.4	+0.25	1.30	2.1	11.30	13.7	1.0	4.6	0.40	0.35
31	1.2	-0.06	33.4	+0.50 -0.25	5.0	3.2	2.5	2.42	32.4	+0.25	1.30	2.5	14.10	13.8	1.0	4.7	0.41	0.35
32	1.2	-0.06	34.4	+0.50 -0.25	5.1	3.3	2.5	2.50	33.7	+0.25	1.30	2.5	14.60	13.8	1.0	4.7	0.39	0.35
33	1.2	-0.06	35.5	+0.50 -0.25	5.1	3.3	2.5	2.65	34.7	+0.25	1.30	2.5	15.00	14.3	1.0	4.9	0.41	0.35
34	1.5	-0.06	36.5	+0.50 -0.25	5.3	3.4	2.5	3.80	35.7	+0.25	1.60	2.5	15.40	26.2	1.5	6.3	0.93	0.45
35	1.5	-0.06	37.8	+0.50 -0.25	5.5	3.6	2.5	4.00	37.0	+0.25	1.60	3.0	18.80	26.9	1.5	6.4	0.91	0.45
36	1.5	-0.06	38.8	+0.50 -0.25	5.6	3.6	2.5	4.15	38.0	+0.25	1.60	3.0	19.40	26.4	1.5	6.4	0.87	0.45
38	1.5	-0.06	40.8	+0.50 -0.25	6.1	3.8	2.5	4.40	40.0	+0.25	1.60	3.0	22.50	28.2	1.5	6.7	0.73	0.45
40	1.75	-0.06	43.5	+0.90 -0.39	7.2	4.0	2.5	5.30	42.5	+0.25	1.85	3.8	27.00	44.6	2.0	8.3	1.09	0.55
42	1.75	-0.06	45.5	+0.90 -0.39	7.2	4.1	2.5	6.00	44.5	+0.25	1.85	3.8	28.40	44.7	2.0	8.4	1.10	0.55
44	1.75	-0.06	47.5	+0.90 -0.39	7.2	4.2												



孔用弹性挡圈 (16-170)

参考标准: DIN984



备注: 下表数据为JK型,与JL型有不同,需与制造商确认

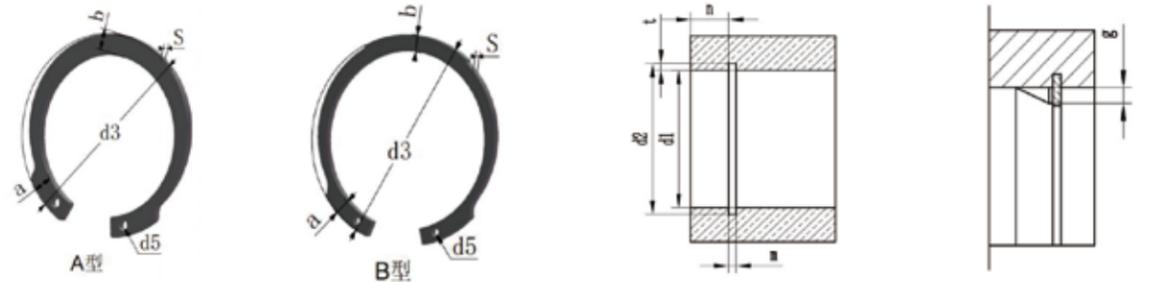
d1:规格/公称尺寸; S:厚度; d3:外径; a:头高; ≈b:肩宽; d5:小孔; Wt:重量; FN:沟槽承载力; FR:挡圈承载力(直角); g:倒角尺寸; FRg:挡圈承载力(倒角); FL:轴向弹力; L:补偿间隙

d1	S	Tol	d3	Tol	a	≈b	d5	Wt(g)	d2	Tol	m	n	FN (KN)	FR (KN)	g	FRg (KN)	FL	L
72	2.5	-0.07	76.5	+1.10 -0.46	10.2	6.4	3.0	21.20	75.0	+0.30	2.65	4.5	58.00	119	2.5	21	2.27	0.90
75	2.5	-0.07	79.5	+1.10 -0.46	10.2	6.6	3.0	22.60	78.0	+0.30	2.65	4.5	60.00	118	2.5	21	2.25	0.90
80	2.5	-0.07	85.5	+1.30 -0.54	10.2	7.0	3.0	25.00	83.5	+0.35	2.65	5.3	74.60	120	2.5	21.8	2.44	0.90
85	3	-0.08	90.5	+1.30 -0.54	12.2	7.4	3.5	30.10	88.5	+0.35	3.15	5.3	79.50	201	3.0	31.2	2.60	0.90
90	3	-0.08	95.5	+1.30 -0.54	12.2	7.7	3.5	35.50	93.5	+0.35	3.15	5.3	84.00	199	3.0	31.4	2.60	0.90
95	3	-0.08	100.5	+1.30 -0.54	12.2	8.1	3.5	40.00	98.5	+0.35	3.15	5.3	88.60	195	3.0	31.4	2.61	0.90
100	3	-0.08	105.5	+1.30 -0.54	12.2	8.5	3.5	43.50	103.5	+0.35	3.15	5.3	93.10	188	3.0	30.8	2.57	0.90
110	4	-0.10	117	+1.30 -0.54	12.2	9	3.5	73	114	+0.54	4.15	6	117	415	3	71		
115	4	-0.10	122	+1.50 -0.63	12.2	9.3	3.5	82	119	+0.54	4.15	6	122	409	3	71.2		
120	4	-0.10	127	+1.50 -0.63	12.2	9.6	3.5	87	124	+0.63	4.15	6	127	396	3	70		
125	4	-0.10	132	+1.50 -0.63	12.2	9.9	4	92	129	+0.63	4.15	6	132	385	3	70		
130	4	-0.10	137	+1.50 -0.63	12.2	10.2	4	102	134	+0.63	4.15	6	138	374	3	69		
140	4	-0.10	148	+1.50 -0.63	14.2	10.7	4	112	144	+0.63	4.15	6	148	350	3	66.5		
150	4	-0.10	158	+1.50 -0.63	14.2	11.1	4	123	155	+0.63	4.15	7.5	191	326	3	64		
160	4	-0.10	169	+1.50 -0.63	14.2	11.8	4.5	133	165	+0.63	4.15	7.5	212	321	3.5	54.5		
170	4	-0.10	179	+1.50 -0.63	14.2	12.3	4.5	145	175	+0.63	4.15	7.5	225	349	3.5	59		



孔用弹性挡圈 (10-100)

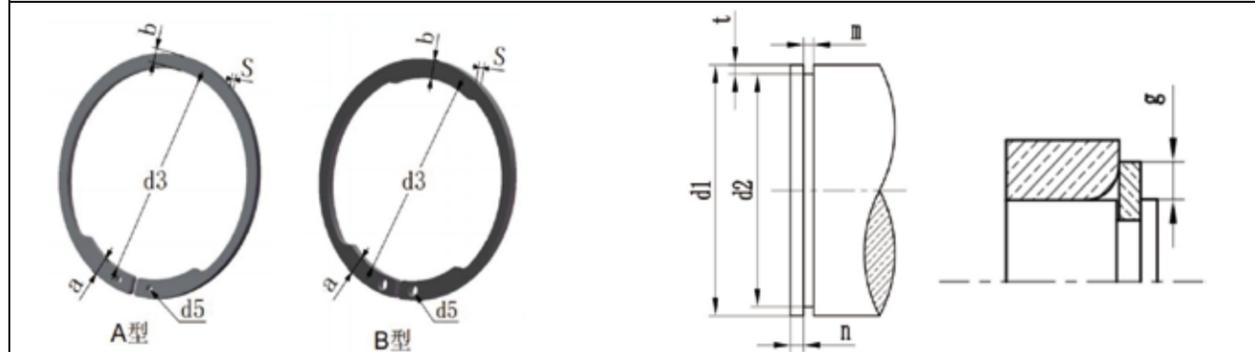
参考标准: M1308 JV



d1:规格/公称尺寸; S:厚度; d3:外径; b:肩宽; d5:小孔; Wt:重量; FN:沟槽承载力; FR:挡圈承载力(直角); g:倒角尺寸; FRg:挡圈承载力(倒角);

d1	S	Tol	d3	Tol	b	Tol	d5	Wt(g)	d2	Tol	m	t	n	FN (KN)	FR (KN)	g	FRg (KN)	K N·mm
10	0.6	-0.05	10.9	+0.42 -0.13	1.5	±0.1	0.9	0.15	10.5	+0.11	0.7	0.25	0.7	0.52	1.7	0.5	1	5.7
12	0.6	-0.05	13.1	+0.42 -0.13	1.8	±0.1	1	0.25	12.6	+0.11	0.7	0.3	0.9	0.75	1.8	0.8	1	5.5
15	0.8	-0.05	16.1	+0.42 -0.13	2	±0.1	1	0.41	15.7	+0.11	0.9	0.35	1	1.33	3.3	1	1.9	11
16	1	-0.06	17.3	+0.42 -0.13	2.1	±0.1	1.3	0.53	16.8	+0.11	1.1	0.4	1.2	1.67	5.2	1	3.1	22.7
17	1	-0.06	18.3	+0.42 -0.13	2.1	±0.1	1.3	0.58	17.8	+0.11	1.1	0.4	1.2	1.7	5.8	1	3	21.2
18	1	-0.06	19.5	+0.42 -0.13	2.2	±0.1	1.3	0.62	19	+0.15	1.1	0.5	1.5	1.78	6.3	1	3	20.4
19	1	-0.06	20.5	+0.42 -0.13	2.2	±0.1	1.3	0.66	20	+0.15	1.1	0.5	1.5	2.5	6.6	1	2.8	19.2
20	1	-0.06	21.5	+0.42 -0.13	2.3	±0.1	1.3	0.8	21	+0.15	1.1	0.5	1.5	2.66	7	1	2.9	19
21	1	-0.06	22.5	+0.42 -0.13	2.4	±0.1	1.3	0.81	22	+0.15	1.1	0.5	1.5	2.73	7.4	1	2.8	18.5
22	1	-0.06	23.5	+0.42 -0.13	2.4	±0.1	1.3	0.83	23	+0.15	1.1	0.5	1.5	2.8	7.5	1	2.8	17.8
24	1.2	-0.06	25.9	+0.42 -0.21	2.8	±0.1	1.5	1.3	25.2	+0.21	1.3	0.6	1.8	3.68	14.5	1	4.8	29.9
25	1.2	-0.06	26.9	+0.42 -0.21	2.8	±0.1	1.5	1.4	26.2	+0.21	1.3	0.6	1.8	4	14.8	1	5	30.6
26	1.2	-0.06	27.9	+0.42 -0.21	3	±0.1	1.5	1.5	27.2	+0.21	1.3	0.6	1.8	4.17	15.3	1	5.2	31.4
27	1.2	-0.06	29.1	+0.42 -0.21	3	±0.1	1.5	1.53	28.4	+0.21	1.3	0.7	2.1	5	15	1	5.1	29.9
28	1.2	-0.06	30.1	+0.50 -0.25	3.1	±0.1	1.5	1.8	29.4	+0.21	1.3	0.7	2.1	5.1	15.3	1	5.2	30.4
30	1.2	-0.06	32.1	+0.50 -0.25	3.2	±0.1	1.5	2.03	31.4	+0.25	1.3	0.7	2.1	5.5	14.9	1	5.1	29
32	1.2	-0.06	34.4	+0.50 -0.25	3.3	±0.1	1.5	2.05	33.7	+0.25	1.3	0.85	2.5	7	14.1	1	4.9	27.4
33	1.2	-0.06	35.5	+0.50 -0.25	3.3	±0.1	1.5	2.35	34.7	+0.25	1.3	0.85	2.5	7.3	13.8	1	4.8	26.6
35	1.5	-0.06	37.8	+0.50 -0.25	3.4	±0.1	1.7	3.2	37	+0.25	1.6	1	3	9.2	26.4	1.5	6.3	49.6
36	1.5	-0.06	38.8	+0.50 -0.25	3.6	±0.1	1.7	3.23	38	+0.25	1.6	1	3	9.7	27.5	1.5	6.6	51.5
38	1.5	-0.06	40.8	+0.50 -0.25	3.8	±0.1	1.7	3.68	40	+0.25	1.6	1	3	10.2	28	1.5	6.7	51.2
40	1.75	-0.06	43.5	+0.90 -0.39	4.2	±0.2	2	4.75	42.5	+0.25	1.85	1.25	3.8	13.5	45.5	2	8.4	82.5
42	1.75	-0.06	45.5	+0.90 -0.39	4.2	±0.2	2	5.2	44.5	+0.25	1.85	1.25	3.8	14.1	45.5	2	8.5	82.5
45	1.75	-0.06	48.5	+0.90 -0.39	4.2	±0.2	2	6	47.5	+0.25	1.85	1.25	3.8	15	44	2	8.4	79.5
47	1.75	-0.06	50.5	+1.10 -0.46	4.7	±0.2	2	6.5	49.5	+0.25	1.85	1.25	3.8	15.8	45	2	8.7	81.3
48	1.75	-0.06	51.5	+1.10 -0.46	4.7	±0.2	2	7	50.5	+0.3	1.85	1.25	3.8	16	48	2	9.1	85.8
50	2	-0.07	54.2	+1.10 -0.46	5.2	±0.2	2.5	8.5	53	+0.3	2.15	1.5	4.5	20	69	2	13.4	124
52	2	-0.07	56.2	+1.10 -0.46	5.2	±0.2	2.5	9	55	+0.3	2.15	1.5	4.5	20.8	66.5	2	13.3	121
55	2	-0.07	59.2	+1.10 -0.46	5.2	±0.2	2.5	10	58	+0.3	2.15	1.5	4.5	22.2	66	2	13.3	118
57	2	-0.07	61.2	+1.10 -0.46	5.2	±0.2	2.5	10.25	60	+0.3	2.15	1.5	4.5	23	65	2	13.1	115
58	2	-0.07	62.2	+1.10 -0.46	5.2	±0.2	2.5	10.5	61	+0.3	2.15	1.5	4.5	23.3	64	2	12.9	113
60	2	-0.07	64.2	+1.10 -0.46	5.2	±0.2	2.5	11.25	63	+0.3	2.15	1.5	4.5	24.2	62	2	12.7	111
62	2	-0.07	66.2	+1.10 -0.46	5.2	±0.2	2.5	11.75	65	+0.3	2.15	1.5	4.5	25	60	2	12.3	107
65	2.5	-0.07	69.2	+1.10 -0.46	5.7	±0.2	2.5	16.25	68	+0.3	2.65	1.5	4.5	25.8	122	2.5	20.6	218
67	2.5	-0.07	71.5	+1.10 -0.46	5.7	±0.3	2.5	17.3	70	+0.3	2.65	1.5	4.5	26.8	122	2.5	20.8	218
68	2.5	-0.07	72.5	+1.10 -0.46	5.7	±0.3	2.5	17.75	71	+0.3	2.65	1.5	4.5	27.2	123	2.5	21	220
72	2.5	-0.07	76.5	+1.10 -0.46	6	±0.3	2.5	19.6	75	+0.3	2.65	1.5	4.5	28.8	119	2.5	20.8	214
80	2.5	-0.07	85.5	+1.30 -0.54	6	±0.3	2.5	22.9	83.5	+0.35	2.65	1.75	5.3	37.4	110	2.5	19.6	196
85	3	-0.08	90.5	+1.30 -0.54	6.6	±0.3	3	30	88.5	+0.35	3.15	1.75	5.3	39.7	176	3	27.2	318
90	3	-0.08	95.5	+1.30 -0.54	6.6	±0.3	3	33	93.5	+0.35	3.15	1.75	5.3	42	169	3	26.6	309
95	3	-0.08	100.5	+1.30 -0.54	7.4	±0.3	3	37.5	98.5	+0.35	3.15	1.75	5.3	43.5	168	3	27	315
100	3	-0.08	105.5	+1.30 -0.54	7.4	±0.3	3	41.9	103.5	+0.35	3.15	1.75	5.3	46.7	165	3	26.8	312

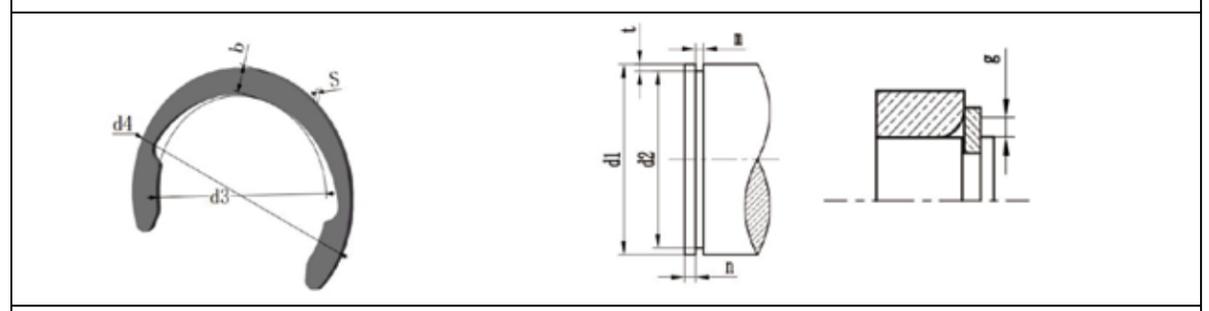
轴用弹性挡圈 (10-100)
参考标准: M1408 AV



d1:规格/公称尺寸; S:厚度; d3: 内径; ≈b: 肩宽; d5: 小孔; Wt: 重量; FN: 沟槽承载力; FR: 挡圈承载力(直角); g: 倒角尺寸; FRg: 挡圈承载力(倒角); n abl:极限转速;

d1	S	Tol	d3	Tol	b	Tol	d5 Min	Wt (g)	d2	Tol	m Min	t	n	FN (KN)	FR (KN)	g	FRg (KN)	K N·mm	n abl x1000
10	0.6	-0.05	9.2	+0.10 -0.36	1.8	±0.1	1	0.25	9.5	-0.11	0.7	0.25	0.7	0.62	1.4	1	1	5.7	84
12	1	-0.06	11	+0.10 -0.36	2.1	±0.1	1.3	0.5	11.5	-0.11	1.1	0.25	0.7	0.7	4.5	1	2.4	21.6	79
13	1	-0.06	11.9	+0.10 -0.36	2.1	±0.1	1.3	0.56	12.4	-0.11	1.1	0.3	0.9	0.9	5.5	1	2.4	20.8	64
14	1	-0.06	12.9	+0.10 -0.36	2.1	±0.1	1.3	0.58	13.4	-0.11	1.1	0.3	0.9	0.97	6	1	2.4	19.2	56
15	1	-0.06	13.8	+0.10 -0.36	2.2	±0.1	1.3	0.66	14.3	-0.11	1.1	0.35	1	1.22	6.5	1	2.4	19.3	50
16	1	-0.06	14.7	+0.10 -0.36	2.3	±0.1	1.3	0.72	15.2	-0.11	1.1	0.4	1.2	1.48	7	1	2.5	18.7	45
17	1	-0.06	15.7	+0.10 -0.36	2.4	±0.1	1.3	0.81	16.2	-0.11	1.1	0.4	1.2	1.57	8.1	1	2.6	18.2	41
18	1.2	-0.06	16.5	+0.10 -0.36	2.6	±0.1	1.5	1.14	17	-0.11	1.3	0.5	1.5	2.07	14.8	1.5	3.2	32.6	39
20	1.2	-0.06	18.5	+0.13 -0.42	2.8	±0.1	1.5	1.43	19	-0.15	1.3	0.5	1.5	2.3	14.6	1.5	3.1	30.1	32
21	1.2	-0.06	19.35	+0.13 -0.42	2.8	±0.1	1.5	1.53	20	-0.15	1.3	0.5	1.5	2.42	14.4	1.5	3.1	29.9	29
22	1.2	-0.06	20.5	+0.13 -0.42	3	±0.1	1.5	1.63	21	-0.15	1.3	0.5	1.5	2.53	14.2	1.5	3.1	29.7	27
23	1.2	-0.06	21.5	+0.13 -0.42	3.1	±0.1	1.5	1.78	22	-0.15	1.3	0.5	1.5	2.66	14	1.5	3.1	29	25
24	1.2	-0.06	22.2	+0.21 -0.42	3.2	±0.1	1.5	1.9	22.9	-0.21	1.3	0.55	1.6	3.03	14	1.5	3.1	28.8	27
25	1.2	-0.06	23.2	+0.21 -0.42	3.4	±0.1	1.5	2.1	23.9	-0.21	1.3	0.55	1.6	3.18	14.1	1.5	3.2	28.8	25
26	1.2	-0.06	24.2	+0.21 -0.42	3.5	±0.1	1.5	2.18	24.9	-0.21	1.3	0.55	1.6	3.3	14.1	1.5	3.2	28.4	25
28	1.5	-0.06	25.9	+0.21 -0.42	3.8	±0.1	2	3.18	26.6	-0.21	1.6	0.7	2.1	4.5	28	1.5	6.4	56	22
30	1.5	-0.06	27.9	+0.21 -0.42	3.9	±0.1	2	3.58	28.6	-0.21	1.6	0.7	2.1	4.86	27.5	1.5	6.3	53.5	19
32	1.5	-0.06	29.6	+0.21 -0.42	4	±0.1	2	3.88	30.3	-0.25	1.6	0.85	2.5	6.25	27	2	4.7	52	17
34	1.5	-0.06	31.5	+0.25 -0.50	4	±0.1	2	3.6	32.3	-0.25	1.6	0.85	2.5	6.67	26.6	2	4.6	50.5	15
35	1.5	-0.06	32.2	+0.25 -0.50	4.2	±0.1	2	4.53	33	-0.25	1.6	1	2.5	8	26.6	2	4.6	50.1	16
38	1.75	-0.06	34.5	+0.25 -0.50	4.5	±0.1	2	5.5	35.8	-0.25	1.85	1.1	3.3	10.6	42	2	7.8	77	15
40	1.75	-0.06	36.5	+0.39 -0.90	4.7	±0.2	2	6.49	37.5	-0.25	1.85	1.25	3.8	12.6	42	2	7.8	77	15
42	1.75	-0.06	38.5	+0.39 -0.90	4.7	±0.2	2	6.51	39.5	-0.25	1.85	1.25	3.8	13.3	42	2	7.8	76	13
45	1.75	-0.06	41.5	+0.39 -0.90	4.7	±0.2	2	7.8	42.5	-0.25	1.85	1.25	3.8	14.3	41.5	2	7.8	75	11
47	1.75	-0.06	43.5	+0.39 -0.90	5	±0.2	2	8.09	44.5	-0.25	1.85	1.25	3.8	15	41	2	7.8	73.5	10
48	1.75	-0.06	44.5	+0.39 -0.90	5.2	±0.2	2	8.48	45.5	-0.25	1.85	1.25	3.8	15.8	41	2	7.8	73.5	10
50	2	-0.07	45.8	+0.39 -0.90	5.2	±0.2	2.5	9.84	47	-0.25	2.15	1.5	4.5	19.2	58	2	11.6	108	10
55	2	-0.07	50.8	+0.46 -1.10	5.8	±0.2	2.5	11.42	52	-0.30	2.15	1.5	4.5	21	58	2.5	9.3	104	9
58	2	-0.07	53.8	+0.46 -1.10	5.8	±0.2	2.5	13	55	-0.30	2.15	1.5	4.5	22.2	56	2.5	9.2	100	8
60	2	-0.07	55.8	+0.46 -1.10	5.8	±0.2	2.5	13.8	57	-0.30	2.15	1.5	4.5	23	55.5	2.5	9.1	99	7
65	2.5	-0.07	60.8	+0.46 -1.10	6	±0.3	2.5	20.75	62	-0.30	2.65	1.5	4.5	24.8	104	2.5	17.6	187	6
70	2.5	-0.07	65.5	+0.46 -1.10	6.5	±0.3	2.5	23.7	67	-0.30	2.65	1.5	4.5	27	103	2.5	17.6	185	6
72	2.5	-0.07	67.5	+0.46 -1.10	6.5	±0.3	2.5	24.7	69	-0.30	2.65	1.5	4.5	27.7	104	2.5	18	187	6
75	2.5	-0.07	70.5	+0.46 -1.10	6.5	±0.3	2.5	27.5	72	-0.30	2.65	1.5	4.5	29.2	100	2.5	17.7	182	5
80	2.5	-0.07	74.5	+0.46 -1.10	7	±0.3	2.5	28.9	76.5	-0.30	2.65	1.75	5.3	36.6	96	3	14.6	175	6
82	2.5	-0.07	76.5	+0.46 -1.10	7	±0.3	2.5	29.65	78.5	-0.35	2.65	1.75	5.3	37.4	100	3	15.4	184	5
85	3	-0.08	79.5	+0.46 -1.10	7.4	±0.3	3	39.5	81.5	-0.35	3.15	1.75	5.3	38.3	167	3	25.6	300	5
87	3	-0.08	81.5	+0.54 -1.30	7.4	±0.3	3	40	83.5	-0.35	3.15	1.75	5.3	39.2	164	3	25.5	297	5
90	3	-0.08	84.5	+0.54 -1.30	7.4	±0.3	3	41.92	86.5	-0.35	3.15	1.75	5.3	41.7	157	3	24.8	288	4
95	3	-0.08	89.5	+0.54 -1.30	8	±0.3	3	47.7	91.5	-0.35	3.15	1.75	5.3	42.7	152	3.5	21	285	4
100	3	-0.08	94.5	+0.54 -1.30	8	±0.3	3	49.92	96.5	-0.35	3.15	1.75	5.3	45.8	144	3.5	20.5	276	4

开口挡圈 (3-55)
参考标准: M1800

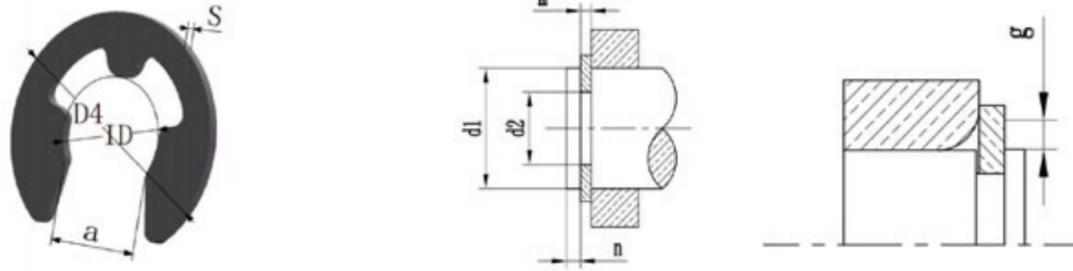


d1:规格/公称尺寸; S:厚度; d3: 内径; d4:外径; b:肩宽; Wt:重量; FN:沟槽承载力; FR: 挡圈承载力(直角); g: 倒角尺寸; FRg: 挡圈承载力(倒角); n abl:极限转速

d1	S	Tol	d3	Tol	b	d4	Wt (g)	d2	Tol	m (Min)	t	FN (KN)	FR (KN)	g	FRg (KN)	n abl x1000
3	0.4	-0.05	2.18	±0.06	0.9	3.98	0.02	2.3	-0.07	0.44	0.35	0.24	0.5	0.4	0.4	95
4	0.4	-0.05	3	±0.06	1	5	0.04	3.2	-0.07	0.44	0.4	0.37	0.5	0.4	0.4	90
5	0.6	-0.05	3.8	±0.08	1.2	6.2	0.08	4	-0.07	0.64	0.5	0.58	1.1	0.6	0.7	88
6	0.7	-0.05	4.8	±0.08	1.3	7.4	0.11	5	-0.07	0.74	0.5	0.72	1.65	0.7	1.1	80
6.5	0.7	-0.05	5.6	±0.08	1.3	8.2	0.12	5.8	-0.07	0.74	0.35	0.55	1.7	0.7	1.05	76
7	0.8	-0.05	5.8	±0.08	1.4	8.6	0.13	6	-0.09	0.85	0.5	0.85	2.2	0.8	1.3	69
8	0.8	-0.05	6.8	±0.09	1.6	10	0.17	7	-0.09	0.85	0.5	0.98	2.2	0.8	1.3	67
9	1	-0.06	7.8	±0.09	1.7	11.2	0.22	8	-0.09	1.1	0.5	1.1	3.5	1	2	58
10	1	-0.06	8.75	±0.09	1.7	12.15	0.26	9	-0.09	1.1	0.5	1.24	3.7	1	2	50
11	1	-0.06	9.65	±0.18	1.8	13.2	0.29	10	-0.11	1.1	0.5	1.35	4	1	2	40
12	1	-0.06	10.55	±0.18	1.9	14.35	0.32	10.9	-0.11	1.1	0.55	1.65	4.2	1	2	35
13	1	-0.06	11.4	±0.18	2	15.4	0.36	11.8	-0.11	1.1	0.6	1.9	4.5	1	2	30
14	1	-0.06	12.3	±0.18	2	16.3	0.4	12.7	-0.11	1.1	0.65	2.2	5	1	2	27
15	1	-0.06	13.2	±0.18	2.1	17.4	0.46	13.6	-0.11	1.1	0.7	2.6	5.5	1	2	25
16	1	-0.06	14.1	±0.18	2.2	18.5	0.54	14.5	-0.11	1.1	0.75	3	5.8	1	2	24
17	1	-0.06	14.9	±0.18	2.25	19.4	0.64	15.4	-0.11	1.1	0.8	3.4	6	1	2	23
18	1.2	-0.06	15.8	±0.18	2.3	20.4	0.72	16.3	-0.11	1.3	0.85	3.7	8.5	1.2	2.8	21
19	1.2	-0.06	16.7	±0.18	2.4	21.5	0.8	17.2	-0.11	1.3	0.9	4.3	9	1.2	2.8	21
20	1.2	-0.06	17.55	±0.18	2.55	22.65	0.87	18.1	-0.21	1.3	0.95	4.7	9.4	1.2	3	20
22	1.2	-0.06	19.4	±0.21	2.8	25	1.1	19.9	-0.21	1.3	1.05	5.7	10	1.2	3	17
23	1.2	-0.06	20.2	±0.21	2.9	26	1.15	20.8	-0.21	1.3	1.1	6.2	10.5	1.2	3.2	15
24	1.2	-0.06	21.1	±0.21	3	27.1	1.52	21.7	-0.21	1.3	1.15	6.8	11	1.2	3.2	15
25	1.2	-0.06	22	±0.21	3.15	28.3	1.74	22.6	-0.21	1.3	1.2	7.5	11.5	1.2	3.2	15
26	1.2	-0.06	22.9	±0.21	3.25	29.4	1.88	23.5	-0.21	1.3	1.25	8	12	1.2	3.2	15
28	1.5	-0.06	24.6	±0.21	3.5	31.6	2.32	25.2	-0.21	1.6	1.4	9.7	16.5	1.5	5.5	13
30	1.5	-0.06	26.3	±0.21	3.7	33.7	2.43	27	-0.21	1.6	1.5	11	17	1.5	5.6	13
32	1.5	-0.06	28.1	±0.21	4	36.1	3.02	28.8	-0.21	1.6	1.6	12.5	18	1.5	5.8	13
35	1.5	-0.06	30.8	±0.25	4.3	39.4	3.3	31.5	-0.25	1.6	1.75	15	20	1.5	5.8	11
36	1.75	-0.06	31.7	±0.25	4.4	40.5	4.4	32.4	-0.25	1.85	1.8	16	25	1.75	8.3	10
38	1.75	-0.06	33.4	±0.25	4.6	42.6	4.62	34.2								

开口挡圈 (0.8-30)

参考标准: DIN6799

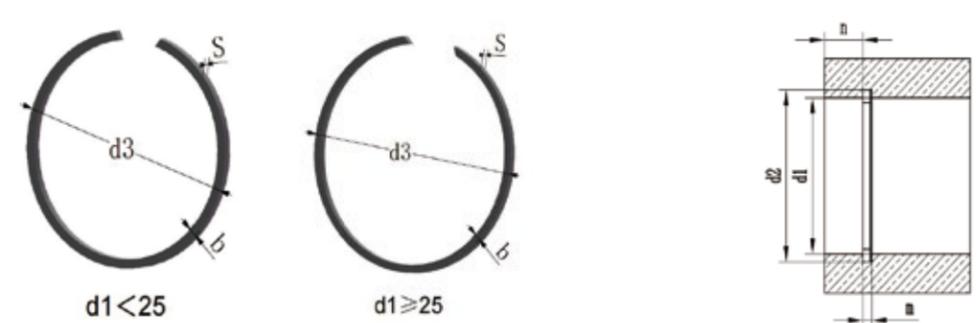


D:规格/公称尺寸; S:厚度; D4:外径; ID:内径; a:开口; Wt:重量; FN:沟槽承载力; FR:挡圈承载力(直角); g:倒角尺寸; FRg:挡圈承载力(倒角); nabl:极限转速

D	S	To1	D4 Max	a	To1	ID	To1	Wt (g)	d2	To1	m	To1	n (Min)	FN (KN)	d1	FR (KN)	g	FRg (KN)	nabl x1000
0.8	0.2	±0.02	2.25	0.58	±0.04	0.74	-0.04	0.003	0.8	-0.04	0.24	+0.04	0.4	0.03	1≤d1≤1.4	0.08	0.3	0.04	50
1.2	0.3	±0.02	3.3	1.01	±0.04	1.12	-0.06	0.009	1.2	-0.060	0.34	+0.04	0.6	0.04	1.4≤d1≤2	0.12	0.4	0.06	47
1.5	0.4	±0.02	4.3	1.28	±0.04	1.41	-0.06	0.021	1.5	-0.060	0.44	+0.04	0.8	0.07	2≤d1≤2.5	0.22	0.6	0.11	42
1.9	0.5	±0.02	4.8	1.61	±0.04	1.8	-0.06	0.04	1.9	-0.060	0.54	+0.05	1	0.1	2.5≤d1≤3	0.35	0.7	0.17	40
2.3	0.6	±0.02	6.3	1.94	±0.04	2.2	-0.06	0.069	2.3	-0.060	0.64	+0.05	1	0.15	3≤d1≤4	0.5	0.9	0.24	38
3.2	0.6	±0.02	7.3	2.7	±0.04	3.06	-0.075	0.088	3.2	-0.075	0.64	+0.05	1	0.22	4≤d1≤5	0.65	0.9	0.32	35
4	0.7	±0.02	9.3	3.34	±0.048	3.85	-0.075	0.158	4	-0.075	0.74	+0.05	1.2	0.25	5≤d1≤7	0.95	1	0.47	32
5	0.7	±0.02	11.3	4.11	±0.048	4.83	-0.075	0.236	5	-0.075	0.74	+0.05	1.2	0.9	6≤d1≤8	1.15	1	0.6	28
6	0.7	±0.02	12.3	5.26	±0.048	5.81	-0.075	0.255	6	-0.075	0.74	+0.05	1.2	1.1	7≤d1≤9	1.35	1.1	0.7	25
7	0.9	±0.02	14.3	5.84	±0.048	6.79	-0.075	0.474	7	-0.090	0.94	+0.05	1.5	1.25	8≤d1≤11	1.8	1.3	1	22
8	1	±0.03	16.3	6.52	±0.058	7.75	-0.09	0.66	8	-0.090	1.05	+0.08	1.8	1.42	9≤d1≤12	2.5	1.5	1.25	20
9	1.1	±0.03	18.8	7.63	±0.058	8.73	-0.09	1	9	-0.090	1.15	+0.08	2	1.6	10≤d1≤14	3	1.6	1.5	17
10	1.2	±0.03	20.4	8.32	±0.058	9.71	-0.09	1.12	10	-0.090	1.25	+0.08	2	1.7	11≤d1≤15	3.5	1.8	1.75	15
12	1.3	±0.03	23.4	10.45	±0.07	11.65	-0.11	1.77	12	-0.110	1.35	+0.08	2.5	3.1	13≤d1≤18	4.7	1.9	2.3	13
15	1.5	±0.03	29.4	12.61	±0.07	14.59	-0.11	3.37	15	-0.110	1.55	+0.08	3	7	16≤d1≤24	7.8	2.2	3.3	11
19	1.75	±0.03	37.6	15.92	±0.07	18.49	-0.13	6.42	19	-0.130	1.8	+0.08	3.5	10	20≤d1≤31	11	2.5	3.6	8
24	2	±0.03	44.6	21.88	±0.084	23.39	-0.13	8.55	24	-0.130	2.05	+0.08	4	13	25≤d1≤38	15	3	4	6
30	2.5	±0.03	52.6	25.8	±0.084	29.25	-0.15	16.62	30	-0.15	2.55	+0.08	4.5	16.5	32≤d1≤42	23	3.5	5.3	4.2

孔用弹性挡圈 (7-440)

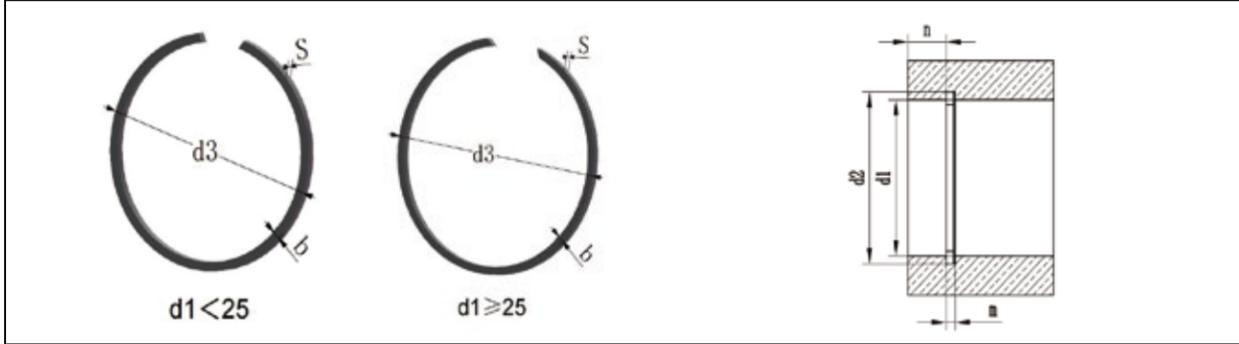
参考标准: M2300 SB



d1:规格/公称尺寸; S:厚度; d3:外径; b:肩宽; Wt:重量; FN:沟槽承载力; FR:挡圈承载力

d1	S (-0.1)	b (-0.1)	d3 Min	Wt (g)	d2	To1	m Min	FN (KN)	FR (KN)
7	0.8	1	7.5	0.09	7.3	0.09	0.9	0.55	3.3
8	0.8	1	8.5	0.1	8.3	0.09	0.9	0.65	3.25
9	0.8	1.1	9.5	0.13	9.3	0.09	0.9	0.7	3.2
10	0.8	1.2	10.6	0.15	10.4	0.09	0.9	1.05	3.15
11	1	1.3	11.6	0.21	11.4	0.11	1.1	1.15	9.15
12	1	1.3	12.7	0.25	12.4	0.11	1.1	1.3	8.9
13	1	1.3	13.8	0.28	13.5	0.11	1.1	1.75	8.8
14	1	1.3	14.8	0.31	14.5	0.11	1.1	1.9	8.2
15	1	1.3	15.8	0.34	15.5	0.11	1.1	2	7.7
16	1.2	1.75	16.8	0.53	16.5	0.11	1.3	2.1	15.5
17	1.2	1.75	17.8	0.55	17.5	0.11	1.3	2.25	15.4
18	1.2	1.75	18.9	0.68	18.5	0.13	1.3	2.4	15.1
19	1.2	1.75	19.9	0.72	19.6	0.13	1.3	3	14.8
20	1.2	1.75	21	0.76	20.6	0.13	1.3	3.2	14.2
21	1.2	1.75	22	0.79	21.6	0.13	1.3	3.35	13.7
22	1.2	1.75	23	0.81	22.6	0.13	1.3	3.5	13.1
23	1.2	1.75	24	0.88	23.6	0.13	1.3	3.65	12.8
24	1.2	1.75	25.2	0.9	24.8	0.13	1.3	5.1	12.5
25	1.2	1.75	26.2	0.91	25.8	0.13	1.3	5.3	12
26	1.2	1.75	27.2	0.98	26.8	0.13	1.3	5.5	11.5
27	1.2	1.75	28.2	1.11	27.8	0.13	1.3	5.7	11.3
28	1.2	1.75	29.2	1.13	28.8	0.13	1.3	5.95	11
29	1.2	1.75	30.2	1.15	29.8	0.13	1.3	6.15	10.9
30	1.5	2.3	31.4	2	31	0.16	1.6	8	26
31	1.5	2.3	32.4	2.03	32	0.16	1.6	8.25	25.6
32	1.5	2.3	33.4	2.11	33	0.16	1.6	8.5	25
33	1.5	2.3	34.4	2.26	34	0.16	1.6	8.75	24.6
34	1.5	2.3	35.4	2.34	35	0.16	1.6	9	23.8
35	1.5	2.3	36.4	2.36	36	0.16	1.6	9.3	23.3
37	1.5	2.3	38.8	2.53	38.2	0.16	1.6	11.75	22
38	1.5	2.3	39.8	2.61	39.2	0.16	1.6	12.15	21.6
39	1.5	2.3	40.8	2.67	40.2	0.16	1.6	12.4	21
40	1.5	2.3	41.8	2.8	41.2	0.16	1.6	12.7	20.7
42	1.5	2.3	43.8	2.92	43.2	0.16	1.6	13.3	19.8
43	1.5	2.3	44.8	3.03	44.2	0.16	1.6	13.7	19.6
44	1.5	2.3	45.8	3.11	45.2	0.16	1.6	14	19.3
45	1.5	2.3	46.8	3.25	46.2	0.16	1.6	14.25	19
46	1.5	2.3	47.8	3.28	47.2	0.16	1.6	14.65	18.4
47	1.5	2.3	48.8	3.29	48.2	0.16	1.6	14.9	18.1
48	1.5	2.3	49.8	3.45	49.2	0.16	1.6	15.3	17.6
50	1.5	2.3	51.8	3.57	51.2	0.19	1.6	15.8	17.2
52	1.5	2.3	54.3	3.58	53.5	0.19	1.6	20.65	16.3
53	1.5	2.3	55.3	3.82	54.5	0.19	1.6	21.05	16.1
55	1.5	2.3	57.3	3.93	56.5	0.19	1.6	21.8	15.7
57	1.5	2.3	59.3	4.12	58.5	0.19	1.6	22.6	15.3
58	1.5	2.3	60.3	4.13	59.5	0.19	1.6	23	15

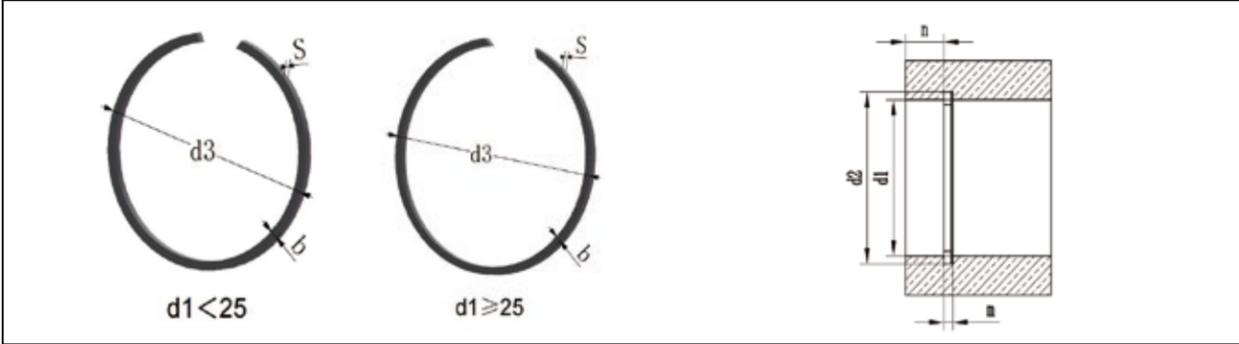
 **孔用弹性挡圈 (7-440)**
参考标准:M2300 SB



d1:规格/公称尺寸; S:厚度; d3: 外径; b: 肩宽; Wt: 重量; FN: 沟槽承载力; FR: 挡圈承载力

d1	S (-0.1)	b (-0.1)	d3 Min	Wt(g)	d2	To1	m Min	FN (KN)	FR (KN)
60	1.5	2.3	62.3	4.28	61.5	0.19	1.6	23.8	14.6
62	1.5	2.3	64.3	4.42	63.5	0.19	1.6	24.6	14.2
63	1.5	2.3	65.3	4.5	64.5	0.19	1.6	25	13.7
65	1.5	2.3	67.3	4.72	66.5	0.19	1.6	25.7	13.6
68	1.5	2.3	70.3	4.9	69.5	0.19	1.6	26.9	12.9
70	1.5	2.3	72.3	4.93	71.5	0.19	1.6	27.7	12.8
72	2	2.8	74.6	8.49	73.8	0.19	2.2	34.2	35.7
73	2	2.8	75.6	8.52	74.8	0.19	2.2	34.7	35.3
74	2	2.8	76.6	8.6	75.8	0.19	2.2	35.3	34.8
76	2	2.8	78.6	8.89	77.8	0.19	2.2	36.2	33.8
78	2	2.8	80.6	9.05	79.8	0.19	2.2	37.1	32.6
79	2	2.8	81.6	9.07	80.8	0.22	2.2	37.6	32
80	2	2.8	82.6	9.22	81.8	0.22	2.2	38	31.4
81	2	2.8	83.6	9.31	82.8	0.22	2.2	38.6	31.3
82	2	2.8	84.6	9.45	83.8	0.22	2.2	39	30.7
83	2	2.8	85.6	9.63	84.8	0.22	2.2	39.5	30.1
85	2	2.8	87.6	9.81	86.8	0.22	2.2	40.4	29.6
86	2	2.8	88.6	9.91	87.8	0.22	2.2	40.9	29
88	2.5	3.4	91	15.4	90	0.22	2.7	46.5	65.8
90	2.5	3.4	93	15.6	92	0.22	2.7	47.6	63.5
92	2.5	3.4	95	16.6	94	0.22	2.7	48.6	62
93	2.5	3.4	96	16.8	95	0.22	2.7	49.2	61.8
95	2.5	3.4	98	16.9	97	0.22	2.7	50.2	59.3
97	2.5	3.4	100	17.1	99	0.22	2.7	51.3	58.2
98	2.5	3.4	101	17.5	100	0.22	2.7	51.8	56.6
100	2.5	3.4	103	17.9	102	0.22	2.7	52.8	55.5
102	2.5	3.4	105.3	18.4	104.3	0.22	2.7	62	53.6
103	2.5	3.4	106.3	18.5	105.3	0.22	2.7	62.6	53.2
105	2.5	3.4	108.3	18.7	107.3	0.22	2.7	63.8	51.8
107	2.5	3.4	110.3	19.1	109.3	0.22	2.7	65	50.7
108	2.5	3.4	111.3	19.3	110.3	0.22	2.7	65.6	50.5
110	2.5	3.4	113.4	19.8	112.3	0.22	2.7	66.8	49
112	2.5	3.4	115.4	20.3	114.3	0.22	2.7	68	47
113	2.5	3.4	116.4	20.5	115.3	0.22	2.7	68.6	46.5
115	2.5	3.4	118.4	20.6	117.3	0.22	2.7	69.4	45.5
117	2.5	3.4	120.4	20.8	119.3	0.22	2.7	71	44.6
118	2.5	3.4	121.4	21.1	120.3	0.25	2.7	71.7	44.2
120	2.5	3.4	123.5	21.4	122.3	0.25	2.7	72.8	43.3
123	2.5	3.4	126.5	22	125.3	0.25	2.7	74.7	41.2
125	2.5	3.4	128.5	22.5	127.3	0.25	2.7	75.9	40.2
127	2.5	3.4	130.5	23	129.3	0.25	2.7	77	39.8
130	2.5	3.4	133.6	23.4	132.3	0.25	2.7	78.9	38.2
133	2.5	3.4	136.6	24.4	135.3	0.25	2.7	80.7	36.8
135	2.5	3.4	138.6	25	137.3	0.25	2.7	81.9	36.6
137	2.5	3.4	140.6	25.3	139.3	0.25	2.7	83	35.6
140	2.5	4	144	29.3	142.6	0.25	2.7	96.1	40.2

 **孔用弹性挡圈 (7-440)**
参考标准:M2300 SB



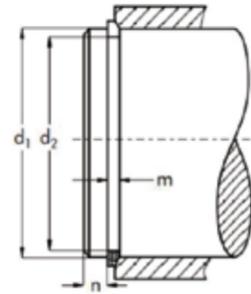
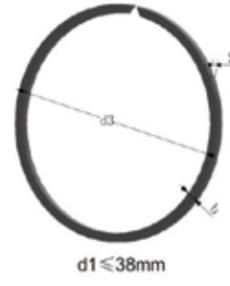
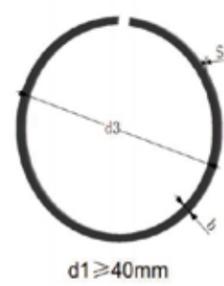
d1:规格/公称尺寸; S:厚度; d3: 外径; b: 肩宽; Wt: 重量; FN: 沟槽承载力; FR: 挡圈承载力

d1	S (-0.1)	b (-0.1)	d3 Min	Wt(g)	d2	To1	m Min	FN (KN)	FR (KN)
143	2.5	4	147	30.1	145.6	0.25	2.7	98.1	38.6
150	2.5	4	154.1	31.9	152.6	0.25	2.7	102	36.2
153	2.5	4	157.1	32.6	155.6	0.25	2.7	104	35.6
160	2.5	4	164.2	34.4	162.6	0.25	2.7	108	34.6
163	2.5	4	167.2	34.6	165.6	0.25	2.7	111	33.5
165	2.5	4	169.2	34.9	167.6	0.25	2.7	113	32.8
170	2.5	4	174.3	36.2	172.6	0.25	2.7	116	32
173	2.5	4	177.3	37.1	175.6	0.25	2.7	118	32
175	2.5	4	179.3	37.3	177.6	0.25	2.7	119	31.4
180	2.5	4	184.5	38.3	182.6	0.29	2.7	123	30.8
183	2.5	4	187.5	41	185.6	0.29	2.7	125	30
190	3	5	194.9	61.3	193	0.29	3.2	150	62.8
195	3	5	199.9	61.6	198	0.29	3.2	154	61.5
200	3	5	205	64.5	203	0.29	3.2	158	59
205	3	5	210	66.4	208	0.29	3.2	162	57.8
210	3	5	215.1	68.8	213	0.29	3.2	166	56.8
215	3	5	220.1	69.5	218	0.29	3.2	169	55.5
220	3	5	225.2	72.4	223	0.29	3.2	173	54.4
225	3	5	230.2	72.9	228	0.29	3.2	177	53.3
230	3	5	235.3	75.2	233	0.29	3.2	181	52
240	3	5	245.4	80.9	243	0.29	3.2	189	49.6
250	3	5	255.5	84.2	253	0.32	3.2	197	48.5
260	4	7.5	267.6	165	265	0.32	4.2	343	162
270	4	7.5	277.7	174	275	0.32	4.2	356	157
280	4	7.5	287.8	184	285	0.32	4.2	369	152
290	4	7.5	297.9	190	295	0.32	4.2	382	144
300	4	7.5	307.9	196	305	0.32	4.2	395	140
310	4	7.5	318	200	315	0.32	4.2	408	136
320	4	7.5	328.1	203	325	0.36	4.2	422	132
325	4	7.5	333.1	206	330	0.36	4.2	428	129
330	4	7.5	338.2	209	335	0.36	4.2	435	126
340	4	7.5	348.3	219	345	0.36	4.2	448	123
350	4	7.5	358.4	229	355	0.36	4.2	452	121
355	4	7.5	363.4	231	360	0.36	4.2	467	121
360	4	7.5	368.5	233	365	0.36	4.2	487	119
370	4	7.5	378.5	236	375	0.36	4.2	493	116
375	4	7.5	383.5	240	380	0.36	4.2	500	112
380	4	7.5	388.6	242	385	0.36	4.2	513	111
390	4	7.5	398.7	253	395	0.36	4.2	520	110
395	4	7.5	403.7	257	400	0.36	4.2	526	109
400	4	7.5	408.9	260	405	0.4	4.2	529	106
410	4	7.5	419	266	415	0.4	4.2	546	105
415	4	7.5	424	273	420	0.4	4.2	552	104
420	4	7.5	429.1	277	425	0.4	4.2	553	101
430	4	7.5	439.2	285	435	0.4	4.2	565	100
440	4	7.5	449.3	294	445	0.4	4.2	578	98



轴用弹性挡圈 (4-460)

参考标准: M2400 SW



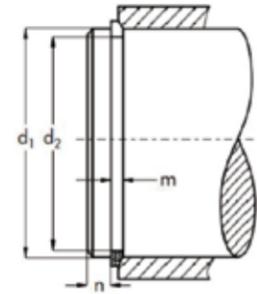
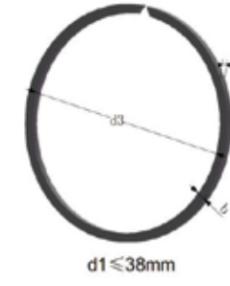
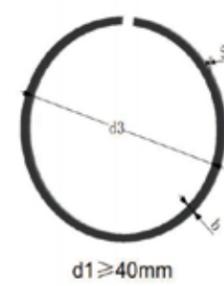
d1: 规格/公称尺寸; S: 厚度; d3: 内径; b: 肩宽; Wt: 重量; FN: 沟槽承载力; FR: 挡圈承载力; nabl: 极限转速

d1	S (-0.1)	b (-0.1)	d3 Max	Wt (g)	d2	To1	m Min	FN (KN)	FR (KN)	n abl x1000
4	0.5	0.8	3.7	0.02	3.8	-0.09	0.6	0.2	1.25	275
5	0.5	1	4.7	0.05	4.8	-0.09	0.6	0.26	1.3	192
6	0.7	1.1	5.6	0.09	5.7	-0.09	0.8	0.46	3.5	141
7	0.7	1.2	6.5	0.12	6.7	-0.09	0.8	0.54	3.5	134
8	1	1.3	7.4	0.2	7.6	-0.09	1.1	0.82	6.5	108
9	1	1.3	8.4	0.24	8.6	-0.09	1.1	0.92	6.5	80
10	1	1.3	9.4	0.25	9.6	-0.09	1.1	1.03	6.5	68
11	1	1.3	10.2	0.29	10.5	-0.11	1.1	1.4	9.8	64
12	1	1.3	11.2	0.3	11.5	-0.11	1.1	1.53	9.3	53
13	1	1.3	12.2	0.34	12.5	-0.11	1.1	1.7	8.9	43
14	1.2	1.5	13.1	0.5	13.5	-0.11	1.3	1.8	17	45
15	1.2	1.75	14	0.66	14.4	-0.11	1.3	2.3	18.7	44
16	1.2	1.75	15	0.69	15.4	-0.11	1.3	2.47	17.7	38
17	1.2	1.75	16	0.72	16.4	-0.11	1.3	2.63	17	34
18	1.2	1.75	17	0.75	17.4	-0.11	1.3	2.78	16.2	30
19	1.2	1.75	17.9	0.8	18.4	-0.13	1.3	2.94	15.6	29
20	1.2	1.75	18.7	0.84	19.2	-0.13	1.3	4.1	15	26
21	1.2	1.75	19.7	0.87	20.2	-0.13	1.3	4.3	14.6	23
22	1.2	1.75	20.7	0.91	21.2	-0.13	1.3	4.5	14	21
24	1.2	1.75	22.5	0.99	23	-0.13	1.3	6.15	13.3	18
25	1.2	1.75	23.5	1	24	-0.13	1.3	6.4	12.8	16
26	1.2	1.75	24.5	1.1	25	-0.13	1.3	6.65	12.5	15
27	1.5	2.3	25.5	2	26	-0.13	1.6	6.95	30	16
28	1.5	2.3	26.5	2.11	27	-0.13	1.6	7.2	29.3	15
29	1.5	2.3	27.5	2.2	28	-0.13	1.6	7.45	28.2	14
30	1.5	2.3	28.5	2.33	29	-0.13	1.6	7.7	27.5	13
32	1.5	2.3	30.2	2.41	30.8	-0.16	1.6	9.9	26.5	13
35	1.5	2.3	33.2	2.51	33.8	-0.16	1.6	10.8	24.4	11
37	1.5	2.3	35.2	2.72	35.8	-0.16	1.6	11.3	23.5	9
38	1.5	2.3	36.2	2.83	36.8	-0.16	1.6	11.6	22.7	9
40	1.5	2.3	37.8	2.91	38.5	-0.16	1.6	15.5	22	8
42	1.5	2.3	39.8	3.1	40.5	-0.16	1.6	16.2	21.4	7
43	1.5	2.3	40.8	3.25	41.5	-0.16	1.6	16.5	21.1	7
45	1.5	2.3	42.8	3.39	43.5	-0.16	1.6	17.3	20.6	6
47	1.5	2.3	44.8	3.48	45.5	-0.16	1.6	18.2	19.2	6
48	1.5	2.3	45.8	3.6	46.5	-0.16	1.6	18.7	18.6	5
50	1.5	2.3	47.8	3.73	48.5	-0.16	1.6	19.5	18.1	5



轴用弹性挡圈 (4-460)

参考标准: M2400 SW



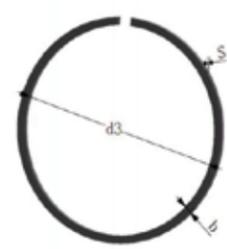
d1: 规格/公称尺寸; S: 厚度; d3: 内径; b: 肩宽; Wt: 重量; FN: 沟槽承载力; FR: 挡圈承载力; nabl: 极限转速

d1	S (-0.1)	b (-0.1)	d3 Max	Wt (g)	d2	To1	m Min	FN (KN)	FR (KN)	n abl x1000
52	1.5	2.3	49.8	3.92	50.5	-0.19	1.6	20.2	17.7	4
55	1.5	2.3	52.6	4.11	53.5	-0.19	1.6	21	16.5	4
58	1.5	2.3	55.6	4.4	56.5	-0.19	1.6	22.5	15.7	4
60	1.5	2.3	57.6	4.55	58.5	-0.19	1.6	23.2	15.4	4
63	1.5	2.3	60.6	4.58	61.5	-0.19	1.6	24.4	14.7	3
65	1.5	2.3	62.6	4.64	63.5	-0.19	1.6	25.2	14.2	3
68	2	2.8	65.4	8.59	66.2	-0.19	2.2	31.7	39.6	3
70	2	2.8	67.4	8.71	68.2	-0.19	2.2	32.5	38.4	3
72	2	2.8	69.4	8.8	70.2	-0.19	2.2	33.7	37.6	3
73	2	2.8	70.4	8.9	71.2	-0.19	2.2	34	37	3
75	2	2.8	72.4	9.32	73.2	-0.19	2.2	35	36.2	2
80	2	2.8	77.4	9.67	78.2	-0.19	2.2	37.4	34.2	2
85	2.5	3.4	82	16	83	-0.22	2.7	44	72	2
90	2.5	3.4	87	16	88	-0.22	2.7	46.5	66.3	2
95	2.5	3.4	92	18.2	93	-0.22	2.7	49.2	61.8	2
100	2.5	3.4	97	18.9	98	-0.22	2.7	51.9	57.3	2
105	2.5	3.4	101.7	20.7	102.7	-0.22	2.7	65	54	2
110	2.5	3.4	106.6	20.9	107.7	-0.22	2.7	69	50.4	1
115	2.5	3.4	111.6	22.1	112.7	-0.22	2.7	71	47.2	1
120	2.5	3.4	116.5	24.1	117.7	-0.22	2.7	75	44.8	1
125	2.5	3.4	121.5	25.1	122.7	-0.25	2.7	78.5	41.8	1
130	2.5	3.4	126.4	26.6	127.7	-0.25	2.7	84	39.6	1
135	2.5	4	131.1	30.2	132.4	-0.25	2.7	87	44	1
140	2.5	4	136	31.1	137.4	-0.25	2.7	91.5	41.6	1
145	2.5	4	141	32.6	142.4	-0.25	2.7	95	39.6	1
150	2.5	4	145.9	32.8	147.4	-0.25	2.7	98	37.5	1
155	2.5	4	150.9	34.7	154.4	-0.25	2.7	100	36.3	1
160	2.5	4	155.8	36.6	157.4	-0.25	2.7	103	35.6	1
165	2.5	4	160.8	37.4	162.4	-0.25	2.7	106	34.2	0.5
170	2.5	4	165.7	38.5	167.4	-0.25	2.7	108	33.5	0.5
175	2.5	4	170.7	39.4	172.4	-0.25	2.7	117	32.2	0.4
180	3	5	175.2	61.2	177	-0.25	3.2	140	67.5	1
185	3	5	180.2	63.9	182	-0.29	3.2	144	66.2	1
190	3	5	185.1	65.9	187	-0.29	3.2	148	64	1
195	3	5	190.1	67.5	192	-0.29	3.2	152	62.6	1
200	3	5	196	68.4	197	-0.29	3.2	156	61.4	0.5
210	3	5	204.9	72	207	-0.29	3.2	164	58	0.5

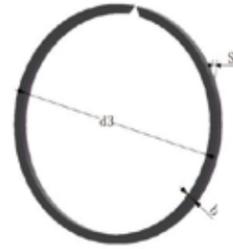


轴用弹性挡圈 (4-460)

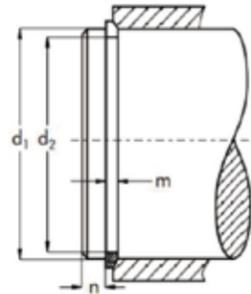
参考标准: M2400 SW



d1 ≥ 40mm



d1 ≤ 38mm



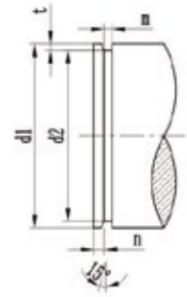
d1: 规格/公称尺寸; S: 厚度; d3: 内径; b: 肩宽; Wt: 重量; FN: 沟槽承载力; FR: 挡圈承载力; nabl: 极限转速

d1	S (-0.1)	b (-0.1)	d3 Max	Wt (g)	d2	To1	m Min	FN (KN)	FR (KN)	nabl x1000
220	3	5	214.8	76.3	217	-0.29	3.2	171	55.5	0.4
230	3	5	224.7	79.8	227	-0.29	3.2	180	53	0.3
240	3	5	234.6	81.7	237	-0.29	3.2	187	51	0.3
250	3	5	244.5	86.5	247	-0.32	3.2	195	49	0.3
260	4	7.5	252.4	179	255	-0.32	4.2	338	168	0.4
265	4	7.5	257.4	185.2	260	-0.32	4.2	344	165	0.4
270	4	7.5	262.3	197.7	265	-0.32	4.2	350	162	0.4
280	4	7.5	272.2	198.7	275	-0.32	4.2	362	155	0.4
285	4	7.5	277.2	199.5	280	-0.32	4.2	370	151	0.3
290	4	7.5	282.1	205.3	285	-0.32	4.2	377	148	0.3
300	4	7.5	292.1	214.2	295	-0.32	4.2	390	145	0.3
305	4	7.5	297.1	219.4	300	-0.32	4.2	396	142	0.3
310	4	7.5	302	223.1	305	-0.32	4.2	402	139	0.3
320	4	7.5	311.9	225.3	315	-0.32	4.2	416	137	0.3
330	4	7.5	321.8	228.6	325	-0.36	4.2	428	132	0.2
340	4	7.5	331.7	239.3	335	-0.36	4.2	442	129	0.2
350	4	7.5	341.6	251.2	345	-0.36	4.2	455	123	0.2
360	4	7.5	351.5	253.1	355	-0.36	4.2	468	120	0.2
370	4	7.5	361.5	259.2	365	-0.36	4.2	482	117	0.2
380	4	7.5	371.4	265.8	375	-0.36	4.2	494	115	0.2
390	4	7.5	381.3	273.9	385	-0.36	4.2	507	112	0.2
400	4	7.5	391.2	281.1	395	-0.36	4.2	521	109	0.1
420	4.5	12	410	531	415	-0.36	4.8	547	133	0.3
460	4.5	12	449.5	582	455	-0.36	4.8	600	126	0.2



轴用斜面卡簧 (79-254)

参考标准: N1402



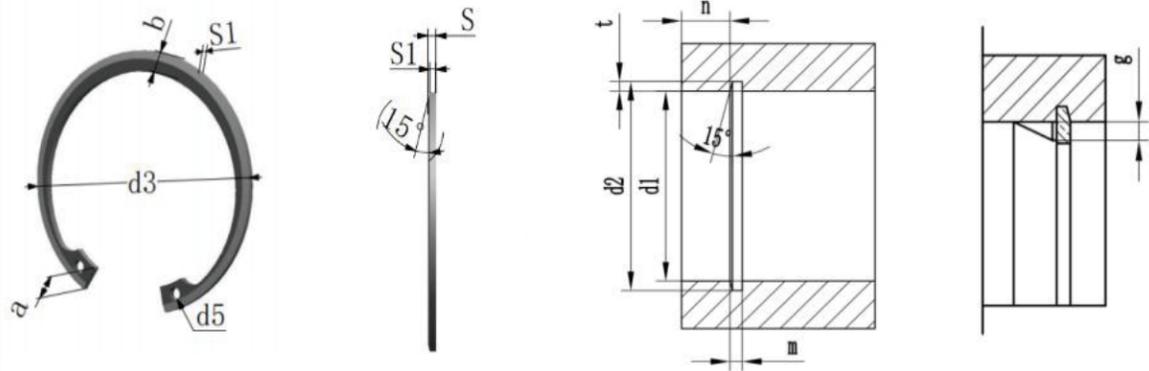
d1: 规格/公称尺寸; S: 厚度; d3: 内径; a: 头高; ≈b: 肩宽; d5: 小孔; Wt: 重量;

d1	S	To1	S1	To1	d3	To1	a Max	≈b	d5 Min	Wt (g)	d2	To1	m	To1	n Min
79.375	2.3622	±0.0762	1.778	±0.0508	73.4568	+0.508 -0.762	7.9502	6.9088	3.1242	26.274	73.9648	-1.524	1.9304	+0.0381	4.0386
80.1624	2.3622	±0.0762	1.778	±0.0508	74.168	+0.508 -0.762	7.9502	6.9596	3.1242	26.727	74.676	-1.524	1.9304	+0.0381	4.1148
82.55	2.3622	±0.0762	1.778	±0.0508	76.3524	+0.508 -0.762	7.9502	7.112	3.1242	28.086	76.8604	-1.524	1.9304	+0.0381	4.2672
84.9884	2.3622	±0.0762	1.7526	±0.0508	78.5368	+0.508 -0.762	7.9502	7.2644	3.1242	28.992	79.0448	-1.524	1.905	+0.0381	4.445
87.3252	2.3622	±0.0762	1.7526	±0.0508	80.7466	+0.508 -0.762	7.9502	7.4168	3.1242	29.898	81.2546	-1.524	1.905	+0.0381	4.5212
88.9	2.7686	±0.0762	2.1336	±0.0635	82.2198	+0.508 -0.762	8.4582	7.239	3.1242	32.616	82.7278	-1.524	2.3114	+0.0508	4.5974
89.9922	2.7686	±0.0762	2.1336	±0.0635	83.2358	+0.508 -0.762	8.4582	7.3152	3.1242	33.069	83.7438	-1.524	2.3114	+0.0508	4.6736
92.075	2.7686	±0.0762	2.1082	±0.0635	85.1408	+0.508 -0.762	8.4582	7.5184	3.1242	34.428	85.6488	-1.524	2.286	+0.0508	4.7752
93.6752	2.7686	±0.0762	2.1082	±0.0635	86.614	+0.508 -0.762	8.509	7.6708	3.1242	36.24	87.122	-1.524	2.286	+0.0508	4.9022
95.25	2.7686	±0.0762	2.0828	±0.0635	88.0872	+0.508 -0.762	8.5598	7.874	3.1242	37.599	88.5952	-1.524	2.2606	+0.0508	4.9784
98.425	2.7686	±0.0762	2.0828	±0.0635	91.0336	+0.508 -0.762	8.509	8.0772	3.1242	39.864	91.5416	-1.524	2.2606	+0.0508	5.1308
100.0252	2.7686	±0.0762	2.0574	±0.0635	92.5068	+0.508 -0.762	8.8138	8.0772	3.1242	43.035	93.0148	-1.524	2.2352	+0.0508	5.2578
101.6	2.7686	±0.0762	2.0574	±0.0635	93.98	+0.508 -0.762	9.0678	8.0772	3.1242	45.753	94.488	-1.524	2.2352	+0.0508	5.334
107.95	2.7686	±0.0762	2.2098	±0.0635	101.3206	+0.508 -0.762	10.2362	8.0772	3.1242	50.736	101.8286	-1.524	2.3876	+0.0508	4.572
111.125	2.7686	±0.0762	2.2098	±0.0635	104.2924	+0.508 -0.762	10.2362	8.0772	3.1242	52.095	104.8004	-1.524	2.3876	+0.0508	4.7244
114.3	2.7686	±0.0762	2.2098	±0.0635	107.2642	+0.508 -0.762	10.4648	7.239	3.1242	45.753	107.7722	-1.524	2.3876	+0.0508	4.8768
120.65	2.7686	±0.0762	2.159	±0.0635	113.2332	+0.508 -0.762	11.0998	7.6962	3.1242	51.189	113.7412	-1.524	2.3368	+0.0508	5.1816
127	2.7686	±0.0762	2.1336	±0.0635	119.1768	+0.508 -0.762	11.6332	9.144	3.8354	67.497	119.6848	-1.524	2.3114	+0.0508	5.4864
133.35	3.175	±0.1016	2.4892	±0.0762	125.1458	+0.508 -1.016	12.192	9.4488	3.8354	86.07	125.6538	-1.778	2.667	+0.0508	5.7404
139.7	3.175	±0.1016	2.4638	±0.0762	131.1148	+0.508 -1.016	12.827	9.906	3.8354	91.053	131.6228	-1.778	2.6416	+0.0508	6.0452
146.05	3.175	±0.1016	2.4384	±0.0762	137.0584	+0.508 -1.016	13.3604	10.3632	3.8354	90.147	137.5664	-1.778	2.6162	+0.0508	6.35
152.4	3.175	±0.1016	2.413	±0.0762	143.0274	+0.508 -1.016	13.9192	9.6774	3.8354	95.13	143.5354	-1.778	2.5908	+0.0508	6.6294
158.75	3.9624	±0.127	3.1496	±0.0762	148.9964	+0.508 -1.27	14.5542	10.0584	3.8354	127.746	149.5044	-2.032	3.3528	+0.0762	6.9342
165.1	3.9624	±0.127	3.1242	±0.0762	154.94	+0.508 -1.27	15.1892	11.1252	3.8354	149.49	155.448	-2.032	3.3274	+0.0762	7.239
171.45	3.9624	±0.127	3.0988	±0.0762	160.909	+0.508 -1.27	15.748	11.5824	4.6228	161.268	161.417	-2.032	3.302	+0.0762	7.493
177.8	3.9624	±0.127	3.0988	±0.0762	166.878	+0.508 -1.27	16.2814	12.0396	4.6228	175.764	167.386	-2.032	3.2766	+0.0762	7.7978
190.5	4.7498	±0.127	3.7846	±0.0762	178.7906	+0.508 -1.524	17.4752	12.8778	4.6228	241.902	179.2986	-2.032	4.0132	+0.0762	8.382
203.2	4.7498	±0.127	3.7846	±0.0762	190.7032	+0.508 -1.524	18.6436	13.716	4.6228	284.484	191.2112	-2.032	3.9878	+0.0762	8.9916
215.9	4.7498	±0.127	3.7592	±0.0762	202.6158	+0.508 -1.524	19.7612	14.5542	4.6228	317.1	203.1238	-2.032	3.9116	+0.0762	9.5504
228.6	4.7498	±0.127	3.683	±0.0762	214.503	+0.508 -1.524	20.9296	15.4686	4.6228	342.921	215.011	-2.032	3.8862	+0.0762	10.16
241.3	4.7498	±0.127	3.5814	±0.0762	226.441	+0.508 -1.524	21.9964	16.3068	4.6228	371.46	226.949	-2.032	3.81	+0.0762	10.7442
254	4.7498	±0.127	3.5306	±0.0762	238.379	+0.508 -1.524	23.1648	17.145	4.6228	436.692	238.887	-2.032	3.7592	+0.0762	11.303



孔用斜面卡簧 (40-140)

参考标准: M1302 JB



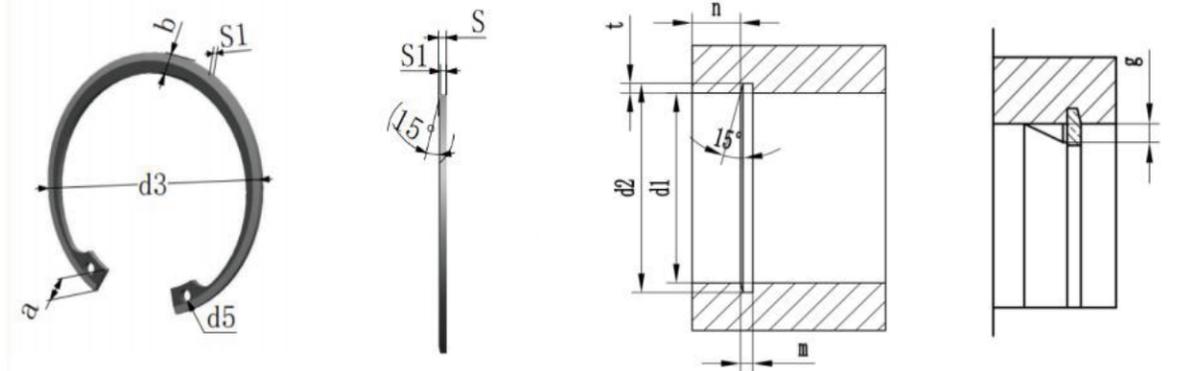
d1:规格/公称尺寸;S:厚度;d3:外径;a:头高;≈b:肩宽;d5:小孔;Wt:重量;FN:沟槽承载力;FR:挡圈承载力(直角);g:倒角尺寸;FRg:挡圈承载力(倒角);

d1	S	To1	S1	To1	d3	To1	a Max	≈b	d5 Min	Wt(g)	d2	To1	m	To1	t	n	FR (KN)	g	FRg (KN)
40	1.65	-0.15	1.25	-0.050	44	+0.90-0.60	5.3	4	1.9	4.05	42.8	0.13	1.3	0.025	1.4	4.5	24.8	2	4.6
41	1.65	-0.15	1.22	-0.050	45.8	+0.90-0.60	5.9	4	1.9	4.55	44	0.13	1.3	0.025	1.5	4.7	23.2	2	4.3
42	1.65	-0.15	1.22	-0.050	46.6	+0.90-0.60	5.9	4.2	1.9	4.73	45	0.13	1.3	0.025	1.5	4.8	23.7	2	4.4
43	1.65	-0.15	1.19	-0.050	47.6	+0.90-0.60	5.9	4.3	1.9	4.91	46	0.13	1.27	0.025	1.5	4.9	22.9	2	4.3
44	1.65	-0.15	1.19	-0.050	49.3	+0.90-0.60	6.1	4.3	1.9	4.68	47.2	0.13	1.27	0.025	1.85	5.1	22.1	2	4.2
46	1.65	-0.15	1.19	-0.050	51.1	+0.90-0.60	6.1	4.3	2.3	5.23	49.4	0.13	1.27	0.025	1.7	5.2	20.9	2	4
47	1.65	-0.15	1.19	-0.050	52.2	+0.90-0.60	6.1	4.3	2.3	5.82	50.4	0.13	1.27	0.025	1.7	5.3	20.3	2	3.9
48	1.65	-0.15	1.19	-0.050	52.6	+0.90-0.60	6.1	4.3	2.3	5.82	51.5	0.13	1.27	0.025	1.75	5.4	17.9	2	3.5
51	1.65	-0.15	1.15	-0.050	56.1	+0.90-0.60	6.2	4.3	2.3	6.36	54.6	0.13	1.22	0.025	1.8	5.7	17.5	2	3.4
52	2.05	-0.15	1.5	-0.075	57.9	+1.00-0.75	6.5	4.7	2.3	8.18	55.7	0.15	1.65	0.038	1.85	5.9	46.3	2	9.1
54	2.05	-0.15	1.56	-0.075	59.7	+1.00-0.75	6.7	4.9	2.3	8.82	57.9	0.15	1.65	0.038	1.95	6.1	45.9	2	9.1
56	2.05	-0.15	1.54	-0.075	61.3	+1.00-0.75	6.8	5	2.3	8.91	60.1	0.15	1.63	0.038	2.05	6.4	43.9	2	8.8
57	2.05	-0.15	1.54	-0.075	63.2	+1.00-0.75	7	5.2	2.3	9.91	61.5	0.15	1.63	0.038	2.25	6.7	44.5	2	8.9
60	2.05	-0.15	1.51	-0.075	66.8	+1.00-0.75	7	5.3	2.3	10.55	64.5	0.15	1.6	0.038	2.25	7	43.6	2	7.8
62	2.05	-0.15	1.48	-0.075	68.6	+1.00-0.75	7.2	5.2	2.7	11.54	66.5	0.15	1.57	0.038	2.25	7	38	2	7.8
63	2.05	-0.15	1.48	-0.075	70.5	+1.00-0.75	7.2	5.3	2.7	11.59	67.7	0.15	1.57	0.038	2.35	7.2	37.9	2	7.8
65	2.45	-0.15	1.88	-0.100	72.2	+1.00-0.75	7.5	5.6	2.7	15.45	69.8	0.15	1.98	0.038	2.4	7.4	71.1	2.5	11.9
67	2.45	-0.15	1.85	-0.100	73.9	+1.00-0.75	7.5	5.7	2.7	15.68	71.9	0.15	1.96	0.038	2.45	7.7	68.1	2.5	11.6
68	2.45	-0.15	1.85	-0.100	75.7	+1.00-0.75	7.7	6	2.7	15.91	73.1	0.15	1.96	0.038	2.55	7.8	70.4	2.5	12
70	2.45	-0.15	1.83	-0.100	77.5	+1.00-0.75	7.7	5.9	2.7	14.14	75.2	0.15	1.93	0.038	2.6	8	66	2.5	11.4
72	2.45	-0.15	1.83	-0.100	79.3	+1.00-0.75	7.7	5.8	2.7	16.36	77.3	0.15	1.93	0.038	2.65	8.2	61.9	2.5	10.8
78	2.85	-0.15	2.15	-0.130	86.8	+1.40-1.40	8.1	6.5	3.1	24.09	83.7	0.15	2.26	0.051	2.85	8.9	113	2.5	20.2
80	2.85	-0.15	2.15	-0.130	89.5	+1.40-1.40	8.1	6.7	3.1	25.19	86	0.15	2.26	0.051	3	9	112	2.5	20.2
82	2.85	-0.15	2.15	-0.130	92	+1.40-1.40	8.9	6.8	3.1	27.27	88.1	0.15	2.26	0.051	3.05	9.1	110	2.5	20
85	2.85	-0.15	2.15	-0.130	94.8	+1.40-1.40	8.9	7	3.1	29.55	91.2	0.15	2.26	0.051	3.1	9.6	108	3	16.6
88	2.85	-0.15	2.15	-0.130	98	+1.40-1.40	8.9	7.4	3.1	31.36	94.6	0.15	2.26	0.051	3.3	10	109	3	16.9
90	2.85	-0.15	2.15	-0.130	100	+1.40-1.40	8.9	7.4	3.1	32.73	96.8	0.15	2.26	0.051	3.4	10.4	105	3	16.5
92	2.85	-0.15	2.15	-0.130	102.2	+1.40-1.40	8.9	7.7	3.1	33.18	99	0.15	2.26	0.051	3.5	10.7	106	3	16.8
95	2.85	-0.15	2.15	-0.130	105.6	+1.65-1.65	8.9	7.8	3.1	35.45	102.1	0.15	2.26	0.051	3.55	11.3	103	3	16.6
98	2.85	-0.15	2.15	-0.130	109	+1.65-1.65	9.6	8.1	3.1	39.55	105.5	0.15	2.26	0.051	3.75	11.5	102	3	16.6
100	2.85	-0.15	2.15	-0.130	110.7	+1.65-1.65	9.6	8.1	3.1	40	107.6	0.15	2.26	0.051	3.8	11.6	99.5	3	16.3
102	2.85	-0.15	2.15	-0.130	112.4	+1.65-1.65	9.6	8.4	3.1	42.27	109.7	0.15	2.26	0.051	3.85	11.7	101	3	16.6
105	2.85	-0.15	2.15	-0.130	115.8	+1.65-1.65	9.6	8.4	3.1	44.09	112.8	0.15	2.26	0.051	3.9	12	96.4	3	16.1
108	2.85	-0.15	2.15	-0.130	119.2	+1.65-1.65	9.6	8.5	3.1	45.91	116.1	0.15	2.26	0.051	4.05	12.1	93.6	3	15.8
110	2.85	-0.15	2.15	-0.130	120.8	+1.65-1.65	10.5	8.6	3.8	47.73	118	0.15	2.26	0.051	4	12.3	92.5	3	15.7
115	2.85	-0.15	2.15	-0.130	125.5	+1.65-1.65	10.5	8.9	3.8	50.45	123.2	0.15	2.26	0.051	4.1	12.6	89.8	3	15.6



孔用斜面卡簧 (40-140)

参考标准: M1302 JB



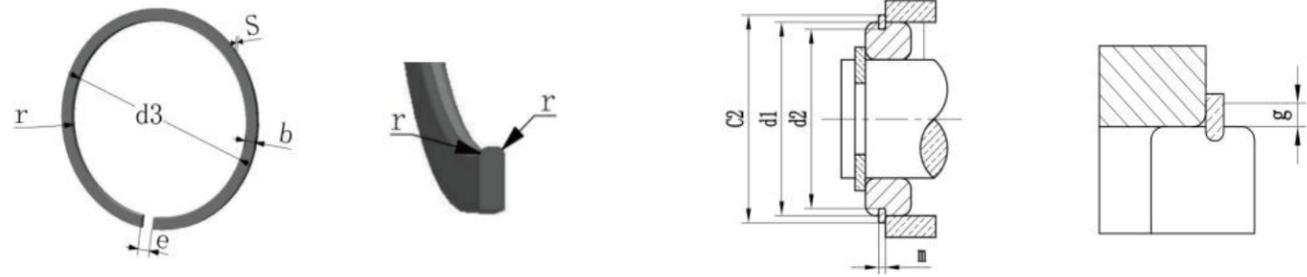
d1:规格/公称尺寸;S:厚度;d3:外径;a:头高;≈b:肩宽;d5:小孔;Wt:重量;FN:沟槽承载力;FR:挡圈承载力(直角);g:倒角尺寸;FRg:挡圈承载力(倒角);

d1	S	To1	S1	To1	d3	To1	a Max	≈b	d5 Min	Wt(g)	d2	To1	m	To1	t	n	FR (KN)	g	FRg (KN)
118	2.85	-0.15	2.15	-0.130	128.9	+1.65-1.65	10.5	8.9	3.8	53.18	126.3	0.15	2.26	0.051	4.15	12.8	86.5	3	15.2
120	2.85	-0.15	2.15	-0.130	132.4	+1.65-1.65	10.5	9.1	3.8	56.36	128.6	0.15	2.26	0.051	4.3	13	86.3	3	15.3
127	2.85	-0.15	2.15	-0.130	139.3	+1.65-1.65	11.3	9.9	3.8	61.82	135.8	0.15	2.26	0.051	4.4	13.4	86.8	3	15.7
140	3.25	-0.20	2.49	-0.150	154.1	+1.65-1.65	11.8	10.4	3.8	83.18	149.2	0.15	2.29	0.051	4.6	14.1	120	3	22.7



轴用止动环 (30-400)

参考标准: DIN5417



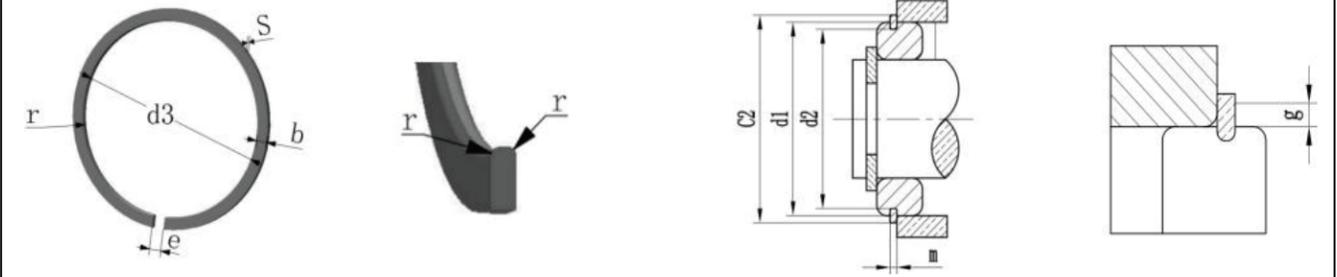
d1:规格/公称尺寸;S:厚度;d3:内径;≈e:开口;r:内径R角;b:肩宽;Wt:重量;FN:沟槽承载力;FR:挡圈承载力(直角);g:倒角尺寸;FRg:挡圈承载力(倒角);nabl:极限转速

d1	S	To1	d3	To1	e (≈)	r (Min)	b	To1	Wt (g)	d2	To1	m	To1	FN (KN)	FR (KN)	g	FRg (KN)	n abl
30	1.12	-0.1	27.4	+0.4	3	0.4	3.25	-0.15	2.8	28.17	-0.25	1.35	0.3	13.7	16.6	2	2.91	16
32	1.12	-0.1	29.4	+0.4	3	0.4	3.25	-0.15	3	30.15	-0.25	1.35	0.3	14.6	14.6	2	2.57	13
35	1.12	-0.1	32.4	+0.4	3	0.4	3.25	-0.15	3.2	33.17	-0.25	1.35	0.3	16	13.4	2	2.42	11
37	1.12	-0.1	34	+0.4	3	0.4	3.25	-0.15	3.4	34.77	-0.25	1.35	0.3	20.7	13.6	2	2.45	10
40	1.12	-0.1	37.3	+0.4	3	0.4	3.25	-0.15	3.6	38.1	-0.25	1.35	0.3	19.3	13.5	2	2.5	8
42	1.12	-0.1	38.9	+0.5	3	0.4	3.25	-0.15	3.8	39.75	-0.25	1.35	0.3	23.5	12.9	2	2.39	7
44	1.12	-0.1	40.9	+0.5	3	0.4	3.25	-0.15	4	41.75	-0.25	1.35	0.3	24.6	12.4	2	2.29	7
47	1.12	-0.1	43.7	+0.5	4	0.4	4.04	-0.15	5.3	44.6	-0.25	1.35	0.3	28.8	12.1	2	2.29	7
50	1.12	-0.1	46.7	+0.5	4	0.4	4.04	-0.15	5.8	47.6	-0.25	1.35	0.3	30.6	13.3	2	2.6	6
52	1.12	-0.1	48.8	+0.5	4	0.4	4.04	-0.15	5.9	49.73	-0.25	1.35	0.3	31.6	12.8	2.5	2.01	6
55	1.12	-0.1	51.7	+0.5	4	0.4	4.04	-0.15	6.2	52.6	-0.25	1.35	0.3	33.8	11.8	2.5	1.9	5
56	1.12	-0.1	52.4	+0.8	4	0.4	4.04	-0.15	6.5	53.6	-0.25	1.35	0.3	34.5	12.1	2.5	1.95	5
58	1.12	-0.1	54.4	+0.8	4	0.4	4.04	-0.15	6.7	55.6	-0.25	1.35	0.3	35.6	11.5	2.5	1.89	5
62	1.7	-0.1	58.2	+0.8	4	0.6	4.04	-0.15	10.5	59.61	-0.50	1.9	0.3	38.1	37.6	2.5	6.18	5
65	1.7	-0.1	61.2	+0.8	4	0.6	4.04	-0.15	11	62.6	-0.50	1.9	0.3	40	34.9	2.5	5.89	4
68	1.7	-0.1	63.4	+0.8	5	0.6	4.85	-0.15	12.6	64.82	-0.50	1.9	0.3	55.5	40.9	2.5	7.06	4
72	1.7	-0.1	67.4	+0.8	5	0.6	4.85	-0.15	14.7	68.81	-0.50	1.9	0.3	59	38.9	2.5	6.71	4
75	1.7	-0.1	70.4	+0.8	5	0.6	4.85	-0.15	15.3	71.83	-0.50	1.9	0.3	61.5	36.6	2.5	6.46	3
80	1.7	-0.1	75.4	+0.8	5	0.6	4.85	-0.15	16.3	76.81	-0.50	1.9	0.3	65.7	34.8	3	5.25	3
85	1.7	-0.1	80.4	+0.8	5	0.6	4.85	-0.15	17.5	81.81	-0.50	1.9	0.3	70	33.5	3	5.16	3
90	2.46	-0.1	85.4	+0.8	5	0.7	4.85	-0.15	26.6	86.79	-0.50	2.7	0.3	74	93.9	3	14.8	2
95	2.46	-0.1	90.4	+0.8	5	0.7	4.85	-0.15	28.2	91.82	-0.50	2.7	0.3	76.3	86.8	3.5	12	2
100	2.46	-0.1	95.2	+1	5	0.7	4.85	-0.15	29.2	96.8	-0.50	2.7	0.3	82.5	80.8	3.5	11.4	2
110	2.46	-0.1	105.2	+1	5	0.7	4.85	-0.15	32.8	106.81	-0.50	2.7	0.3	90.7	71.2	3.5	10.4	1
115	2.46	-0.1	110.2	+1	5	0.7	4.85	-0.15	34.4	111.81	-0.50	2.7	0.3	97.7	66.6	3.5	10	1
120	2.82	-0.1	113.6	+1	7	0.7	7.21	-0.15	60.6	115.21	-0.50	3.1	0.3	143	140	3.5	21.3	2
125	2.82	-0.1	118.6	+1	7	0.7	7.21	-0.15	63	120.22	-0.50	3.1	0.3	155	132	4	17.9	2
130	2.82	-0.1	123.6	+1	7	0.7	7.21	-0.15	65.6	125.22	-0.50	3.1	0.3	166	124.7	4	17.3	1
140	2.82	-0.1	133	+1.6	7	0.7	7.21	-0.15	70.6	135.23	-0.50	3.1	0.3	180	111.6	4	16	1
145	2.82	-0.1	138	+1.6	7	0.7	7.21	-0.15	73	140.23	-0.50	3.1	0.3	186	106.4	4	15.5	1
150	2.82	-0.1	142.9	+1.6	7	0.7	7.21	-0.15	77.2	145.24	-0.50	3.1	0.3	193	101.5	4	15	1
160	2.82	-0.1	152.9	+1.6	7	0.7	7.21	-0.15	81	155.22	-0.50	3.1	0.3	206	92	4	14.1	1
170	3.1	-0.1	161.3	+1.6	10	0.7	9.6	-0.15	122	163.65	-0.50	3.5	0.3	283	148	5	18.7	1
180	3.1	-0.1	171.2	+1.6	10	0.7	9.6	-0.15	128	173.66	-0.50	3.5	0.3	292	135	5	17.7	1
190	3.1	-0.1	181	+1.8	10	0.7	9.6	-0.15	139	183.64	-0.50	3.5	0.3	311	124	5	16.7	1
200	3.1	-0.1	191	+1.8	10	0.7	9.6	-0.15	148	193.65	-0.50	3.5	0.3	336	116	5	16	1
210	3.1	-0.1	200.9	+1.8	10	1.2	9.6	-0.15	156	203.6	-0.50	3.5	0.3	356	106	6	12.7	1



轴用止动环 (30-400)

参考标准: DIN5417



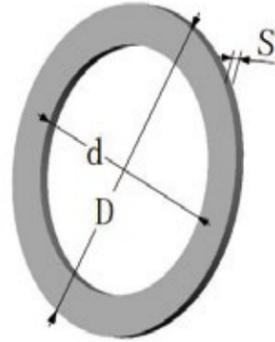
d1:规格/公称尺寸;S:厚度;d3:内径;≈e:开口;r:内径R角;b:肩宽;Wt:重量;FN:沟槽承载力;FR:挡圈承载力(直角);g:倒角尺寸;FRg:挡圈承载力(倒角);nabl:极限转速

d1	S	To1	d3	To1	e (≈)	r (Min)	b	To1	Wt (g)	d2	To1	m	To1	FN (KN)	FR (KN)	g	FRg (KN)	n abl
215	3.1	-0.1	205.9	+1.8	10	1.2	9.6	-0.15	160	208.6	-0.50	3.5	0.3	376	103	6	12.4	1
225	3.5	-0.1	214.3	+1.8	10	1.2	10	-0.15	196	217	-0.50	4.5	0.4	462	144	6	17.9	1
230	3.5	-0.1	219.2	+1.8	10	1.2	10	-0.15	200	222	-0.50	4.5	0.4	473	139.1	6	17.5	1
240	3.5	-0.1	229.2	+1.8	10	1.2	10	-0.15	209	232	-0.50	4.5	0.4	495	130	6	16.8	0.5
250	3.5	-0.1	239.2	+1.8	10	1.2	10	-0.15	220	242	-0.50	4.5	0.4	514	122	6	16.1	0.5
260	3.5	-0.1	247.5	+2.5	10	1.2	10	-0.30	230	252	-0.50	4.5	0.4	536	114	6	15.5	0.5
270	3.5	-0.1	257.5	+2.5	10	1.2	10	-0.30	240	262	-0.50	4.5	0.4	556	107	6	14.9	0.5
280	3.5	-0.1	267.5	+2.5	10	1.2	10	-0.30	250	272	-0.50	4.5	0.4	578	101	6	14.4	0.5
290	3.5	-0.1	277.5	+2.5	10	1.2	10	-0.30	260	282	-0.50	4.5	0.4	598	95.4	6	13.9	0.4
300	4.5	-0.2	284.5	+2.5	10	1.5	12	-0.30	400	290	-0.50	5.5	0.5	694	230	7	34.2	0.6
310	4.5	-0.2	294	+3	10	1.5	12	-0.30	412	300	-0.50	5.5	0.5	800	218	7	28.4	0.5
320	4.5	-0.2	304	+3	10	1.5	12	-0.30	420	310	-0.50	5.5	0.5	824	207	7	27.6	0.5
340	4.5	-0.2	324	+3	10	1.5	12	-0.30	446	330	-0.50	5.5	0.5	875	187	7	26	0.4
360	4.5	-0.2	343	+3	10	1.5	12	-0.30	475	350	-0.50	5.5	0.5	930	169	7	24.5	0.4
370	4.5	-0.2	353	+3	10	1.5	12	-0.30	485	360	-0.50	5.5	0.5	955	162	7	23.8	0.4
380	4.5	-0.2	363	+3	10	1.5	12	-0.30	500	370	-0.50	5.5	0.5	955	154	7	23.2	0.4
400	4.5	-0.2	383	+3	10	1.5	12	-0.30	525	390	-0.50	5.5	0.5	1040	144	7	22.1	0.3



平垫圈

参考标准: DIN988



备注: 内、外径及厚度可根据需求定制

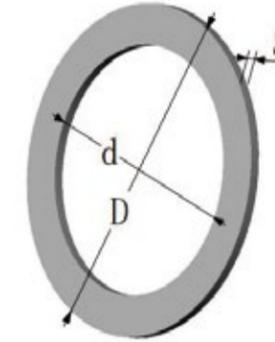
厚度(thickness): 0.1 (0/-0.03); 0.15 (0/-0.03); 0.2 (0/-0.04); 0.3 ~ 2 (0/-0.05)

规格 (Spec)	内径 (d) h12	外径 (D) H12
3*6	3	6
4*8	4	8
5*10	5	10
6*12	6	12
7*13	7	13
8*14	8	14
9*15	9	15
10*16	10	16
11*17	11	17
12*18	12	18
13*19	13	19
14*20	14	20
15*21	15	21
15*22	15	22
16*22	16	22
17*24	17	24
18*25	18	25
19*26	19	26
20*28	20	28
22*30	22	30
22*32	22	32
25*36	25	35
25*36	25	36
26*37	26	37
28*40	28	40
30*42	30	42
32*45	32	45
35*45	35	45
36*45	36	45
37*47	37	47
45*50	40	50
42*52	42	52
45*55	45	55



平垫圈

参考标准: DIN988



备注: 内、外径及厚度可根据需求定制

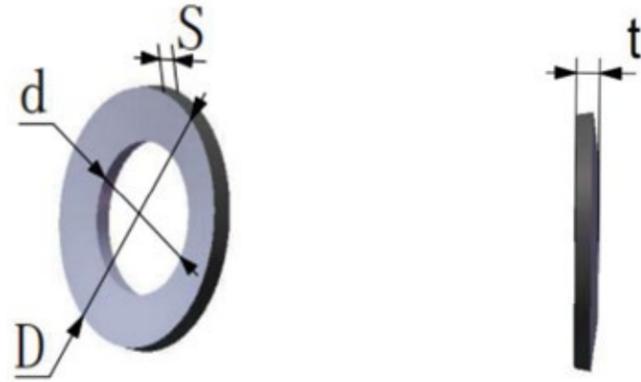
厚度(thickness): 0.1 (0/-0.03); 0.15 (0/-0.03); 0.2 (0/-0.04); 0.3 ~ 2 (0/-0.05)

规格 (Spec)	内径 (d) h12	外径 (D) H12
45*56	45	56
48*60	48	60
50*62	50	62
50*63	50	63
52*65	52	65
55*68	55	68
56*70	56	70
56*72	56	72
60*75	60	75
63*80	63	80
65*85	65	85
70*90	70	90
75x95	75	95
80x100	80	100
85x105	85	105
90x110	90	110
95x115	95	115



碟形垫圈

参考标准:DIN EN 16983(原DIN 2093)



备注: 内、外径及厚度、高度都可根据需求定制

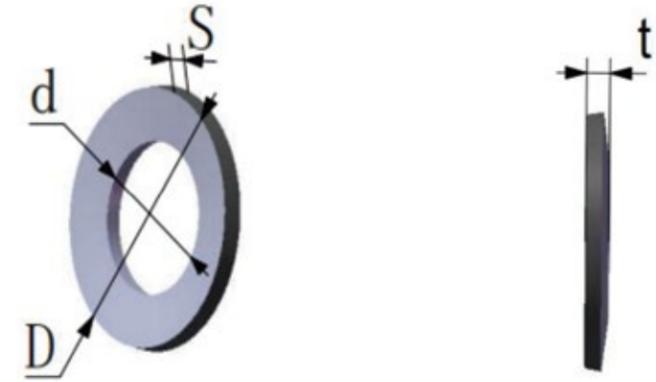
d: 内径; D: 外径; S: 厚度; t: 高度

Spec	d H12	D h12	S Tol	t Tol
4.2*8	4.2	8	0.2 ≤ S ≤ 0.6 + 0.02 - 0.06	S < 1.25 + 0.10 - 0.05
5.2*10	5.2	10		
6.2*12.5	6.2	12.5		
7.2*14	7.2	14		
8.2*16	8.2	16		
9.2*18	9.2	18	0.6 < S < 1.25 + 0.03 - 0.09	1.25 ≤ S ≤ 2.0 + 0.15 - 0.08
10.2*20	10.2	20		
11.2*22.5	11.2	22.5		
12.2*25	12.2	25		
14.2*28	14.2	28	1.25 ≤ S ≤ 3.8 + 0.04 - 0.12	2.0 < S ≤ 3.0 + 0.20 - 0.10
16.3*31.5	16.3	31.5		
18.3*35.5	18.3	35.5		
20.4*40	20.4	40		
22.4*45	22.4	45		
25.4*50	25.4	50	3.8 < S ≤ 6.0 + 0.05 - 0.15	3.0 < S ≤ 6.0 + 0.30 - 0.15
28.5*56	28.5	56		
31*63	31	63		
36*71	36	71		
41*80	41	80		
46*90	46	90		



碟形垫圈

参考标准:DIN EN 16983(原DIN 2093)



备注: 内、外径及厚度、高度都可根据需求定制

d: 内径; D: 外径; S: 厚度; t: 高度

Spec	d H12	D h12	S Tol	t Tol
51*100	51	100	6.0 < S ≤ 8.0 ± 0.10	6.0 < S ≤ 14.0 ± 0.30
57*112	57	112		
64*125	64	125		
72*140	72	140		
82*160	82	160		
92*180	92	180		
102*200	102	200		
112*275	112	225		
127*250	127	250		

TOOLS

卡簧钳简介 (安装工具)

INTRODUCTION TO CIRCLIP PLIERS (MOUNTING TOOLS)

A PROFESSIONAL MANUFACTURER OF RETAINING RINGS AND WASHER THAT INTEGRATES RESEARCH AND DEVELOPMENT, PRODUCTION AND MARKETING

各规格的挡圈、止动环、开口挡圈等都会有对应的安装工具，根据实际的产品规格，选择合适的安装工具，使装配过程更合理、便捷。考虑手动安装存在不确定性，如限位尺寸的设定、使用工具的方法等，更推荐使用按标准规定的压入式装配方式，或自动装配模式，从而能有效降低装配不当导致的产品失效风险。

Each specification of the retaining ring, stop ring, E-type retaining ring, etc., will have the corresponding installation tools. According to the actual product specifications, choose the appropriate installation tools to make the assembly process more suitable, rational, convenient. Consider the uncertainty of manual installation, such as the setting of limit size, the method of using the tool, etc.. Recommended to use the press type assembly according to the standard type, or automatic assembly mode, which can effectively reduce the product loss caused by improper assembly effectiveness risk.

挡圈类型 Ring Type	装配卡簧钳 Pliers, Tools
 <p>轴用挡圈 Shaft ring</p>	 <p>直头卡簧钳 Straight pliers</p> <p>弯头卡簧钳 Elbow pliers</p> <p>大规格装配钳 Large size pliers</p>
 <p>孔用挡圈 Bores Ring</p>	 <p>直头卡簧钳 Straight pliers</p> <p>弯头卡簧钳 Elbow pliers</p> <p>大规格装配钳 Large size pliers</p>
 <p>开口挡圈 E-type ring</p>	 <p>手动 Manual</p> <p>自动 Automatic</p>

PACKAGING

包装方式

在东波公司，满足客户的需求永远是我们追求的目标。在包装方式上，我们有如下方式可供选择，并可为客户量身定制不同的包装方式。

At Dongbo Company, meeting the needs of our customers is always our goal. We have the following packing methods to choose from, also can be customized for customers' Packing methods.

吸塑包装 / Blister package

根据产品尺寸不同，通过专用工具，将产品整理整齐，完成吸塑过程。产品开口基本一致，可于外面贴小标签，不仅容易进行对产品分类，且便于现场装配，计数。



According to the different size of the product, through special tools, the product will be neatly organized to complete the blister process. The product opening is basically the same, and small labels can be affixed to the outside, which is not only easy to classify the product, but also easy to assemble and count.

油纸/捆扎包装 / Oil Paper/Banding Package

根据产品尺寸不同，人工辅助工装将产品整理整齐，完成油纸/捆扎包装过程。产品开口基本一致，可于外面贴小标签，不仅容易进行对产品分类，且便于现场装配，计数。



According to the different size of the product, the manual auxiliary tooling will organize the product neatly, complete the oil paper/bundling packaging process. The product opening is basically the same, and small labels can be affixed to the outside, which is not only easy to classify the product, but also easy to assemble and count.

袋包装 / Bag package

根据产品尺寸不同，装入不同尺寸规格的包装袋，可以使用自封袋封口或固定封口等多种形式。



According to the different size of the product, into different sizes of packaging bags, Available with self-sealing bag sealing or fixed sealing and other forms.

美纹纸/穿条包装 / Patterned paper/strip packing

根据产品尺寸不同，通过专用设备及工装组合，将产品整理整齐并压紧，穿条或贴美纹纸，产品开口完全一致，使用现场方便拆除包装物，特别适合自动装配线。



According to the different size of the product, through the combination of special equipment and tooling, the product is organized and pressed, and the product opening is completely consistent, and the packaging is removed using the field side, especially suitable for automatic assembly line.

专用盒装 / Box package

可根据客户要求，将多种规格型号、数量的产品先小包装，再纳入盒子不同的格子内，最好加上盒盖。该包装方式是量身定做的修理包。



According to customer requirements, a variety of specifications, the number of products first packed into small packaging, and then into the box of different grids. The packing method is tailor-made repair kit.

